

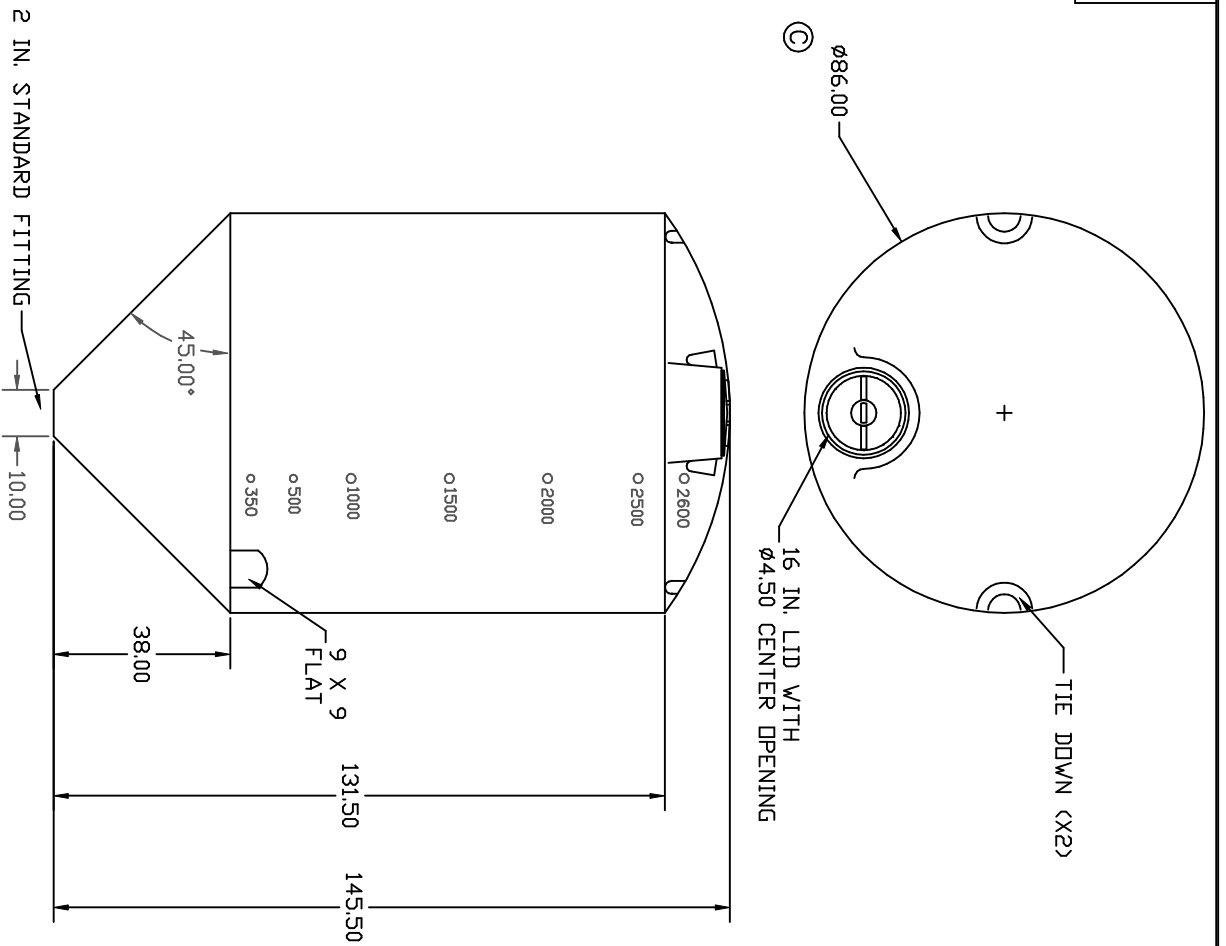
PROPRIETARY DATA

PROPERTY OF DEN HARTOG INDUSTRIES, INC. INFORMATION FURNISHED HEREIN IS THE PROPERTY OF DEN HARTOG INDUSTRIES, INC. AND SHALL NOT BE USED, DISCLOSED TO OTHERS, OR COPIED WITHOUT THE EXPRESSED WRITTEN CONSENT OF DEN HARTOG INDUSTRIES, INC. ALL RIGHTS RESERVED.

CB2600-86



1. SPECIFIC GRAVITY IS 1.75
2. 1 PIECE ROTATIONALLY MOLDED
3. TRANSLUCENT
4. FDA APPROVED RESIN
5. CALIBRATED IN GALLONS
6. THREE YEAR WARRANTY
7. UV STABILIZED
8. MIXER OR PUMP MOUNT ON REQUEST



C	DIAMETER WAS 85	7/31/06	NVE	DRAWN / DATE	
B	UPDATED DIMENSIONS	7/13/06	NVE	DHU 12/9/93	
A	ISOLATED TANK AND STAND	6/13/06	NVE	APPRD. / DATE	
REV	DESCRIPTION	DATE	APPRD		

MATERIAL		THIRD ANGLE PROJECTION ANSI 14.5M	
HDPE OR EQUIVALENT REFERENCE MATERIAL DATA SHEET FOR SPECIFIC PROPERTIES.		NOTES: 1. NOM. WALL ϕ 0.369 2. SHOT WEIGHT 500 LBS.	
ACE ROTO-MOLD A DIVISION OF DEN HARTOG INDUSTRIES, INC. 4018 HWY. 60 BLVD, BOX 421, HOSPER, IOWA 51238		CLIENT / DESCRIPTION 2600 Gallon ϕ 86 CONE BOTTOM TANK	

ALL DIMENSIONS ARE IN DECIMAL INCHES
TOLERANCES UNLESS OTHERWISE SPECIFIED

\pm 1% ϕ 68° F

SCALE N.S. PART NO. CB2600-86