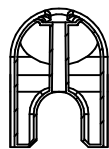


PROPRIETARY DATA

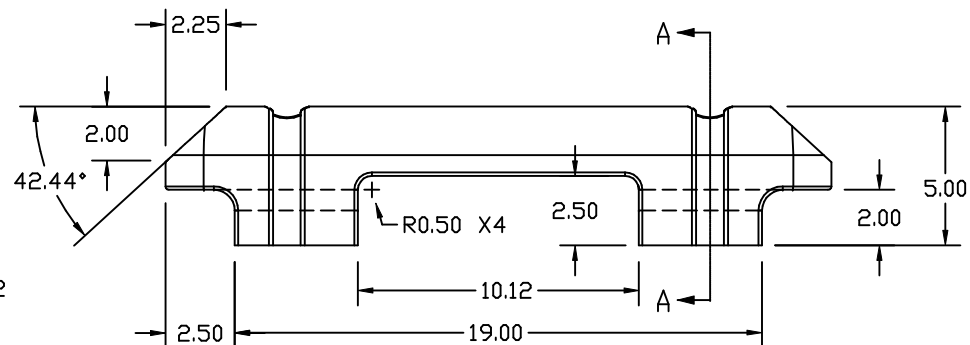
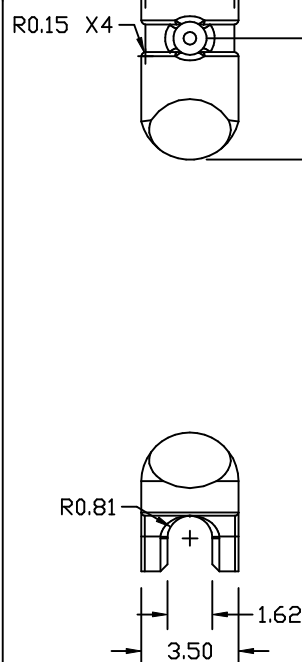
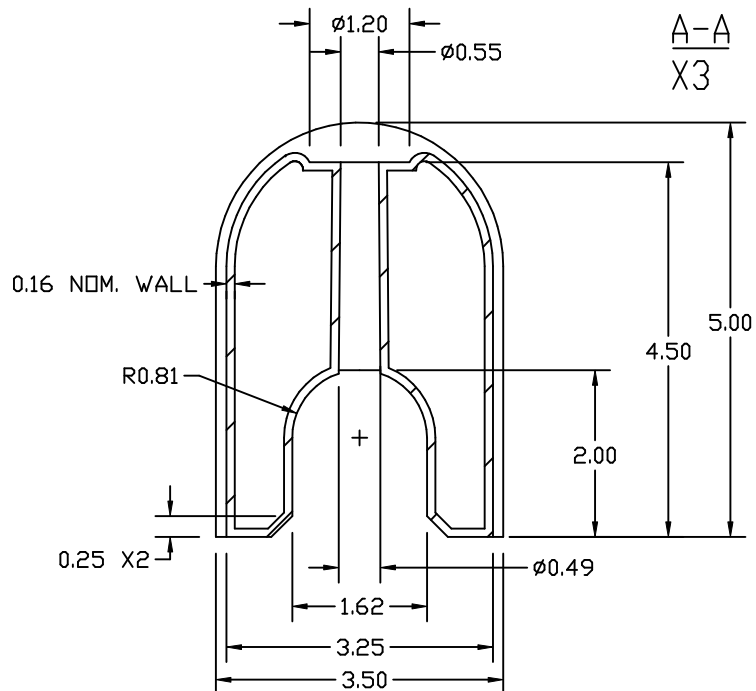
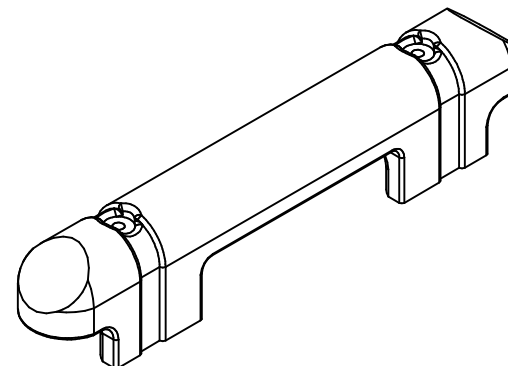
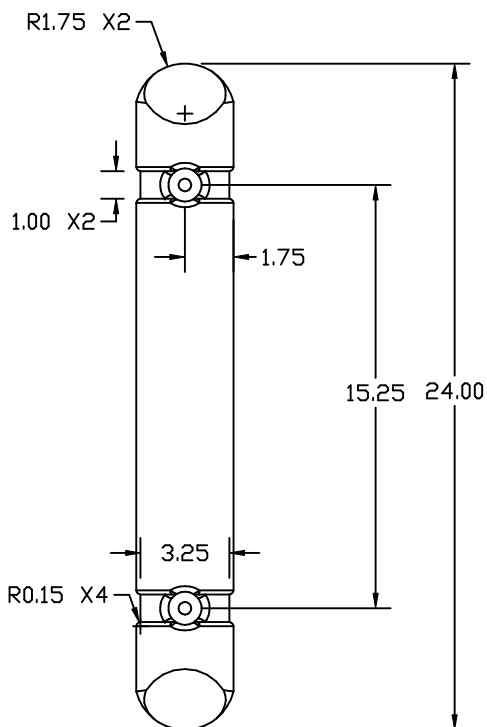
PROPERTY OF ACE ROTO-MOLD MFG., INC. INFORMATION FURNISHED HEREIN IS THE PROPERTY OF ACE ROTO-MOLD MFG., INC. AND SHALL NOT BE USED, DISCLOSED TO OTHERS, OR COPIED WITHOUT THE EXPRESSED WRITTEN CONSENT OF ACE ROTO-MOLD MFG., INC. ALL RIGHTS RESERVED.

DC-2ST-WE

A



SECTION A-A



DRAWN / DATE

NVE 3/24/06

MATERIAL

FLEX  $\odot$   
MU736-00 OR EQUAL EVA @ 2.0 LB.  
FIRM  $\odot$   
MOBIL 135 OR EQUAL # 2.0 LB.



ACE ROTO-MOLD

A DIVISION OF DEN HARTOG INDUSTRIES, INC.  
4010 HOSPERS DRIVE S. BOX 425, HOSPERS, IOWA 51238-0421

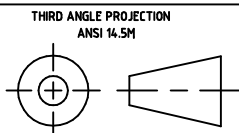
REV	DESCRIPTION	DATE	APPRD
A	MATERIAL/ADDRESS UPDATED	CCN1275	ADH 12/18/07

APPRD / DATE
REH/4/17/06

CLIENT / DESCRIPTION

ACE NO. 2 ROUND CUSHION

ALL DIMENSIONS ARE IN DECIMAL INCHES  
TOLERANCES UNLESS OTHERWISE SPECIFIED  
 $\pm$  1% @ 68° F



NOTES:

1. WHITE COLOR
2. NOM. WALL @ .160
3. ADD U.V. INHIBITOR TO EVA RESIN MIX

SCALE N.S.

PART NO. DC-2ST-WE