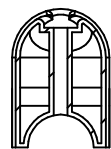


PROPRIETARY DATA

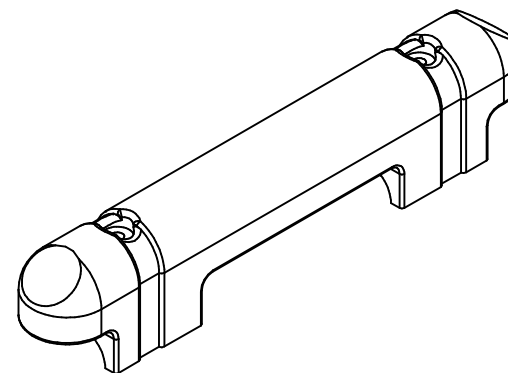
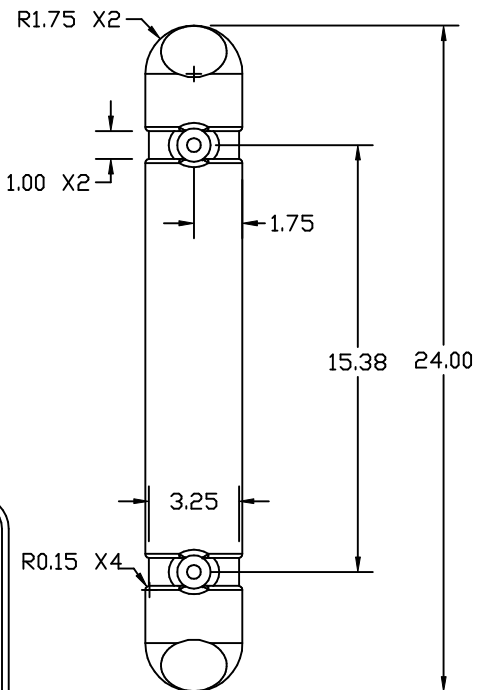
PROPERTY OF ACE ROTO-MOLD MFG., INC. INFORMATION FURNISHED HEREIN IS THE PROPERTY OF ACE ROTO-MOLD MFG., INC. AND SHALL NOT BE USED, DISCLOSED TO OTHERS, OR COPIED WITHOUT THE EXPRESSED WRITTEN CONSENT OF ACE ROTO-MOLD MFG., INC. ALL RIGHTS RESERVED.

DC-3ST-WE

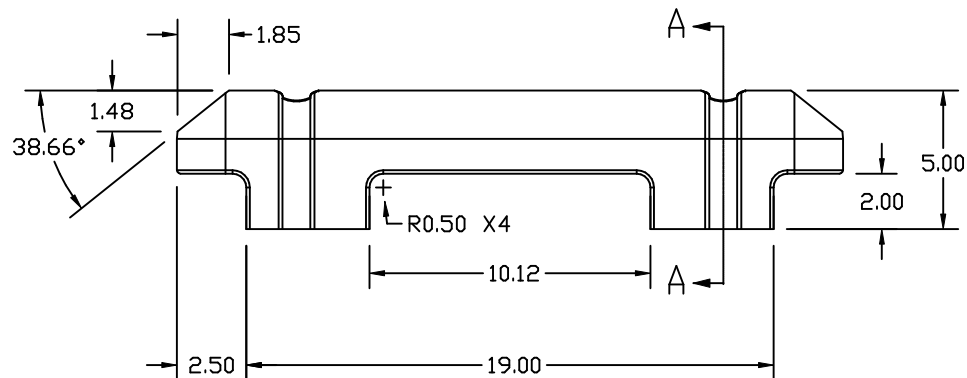
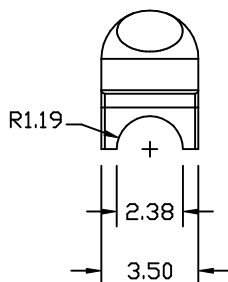
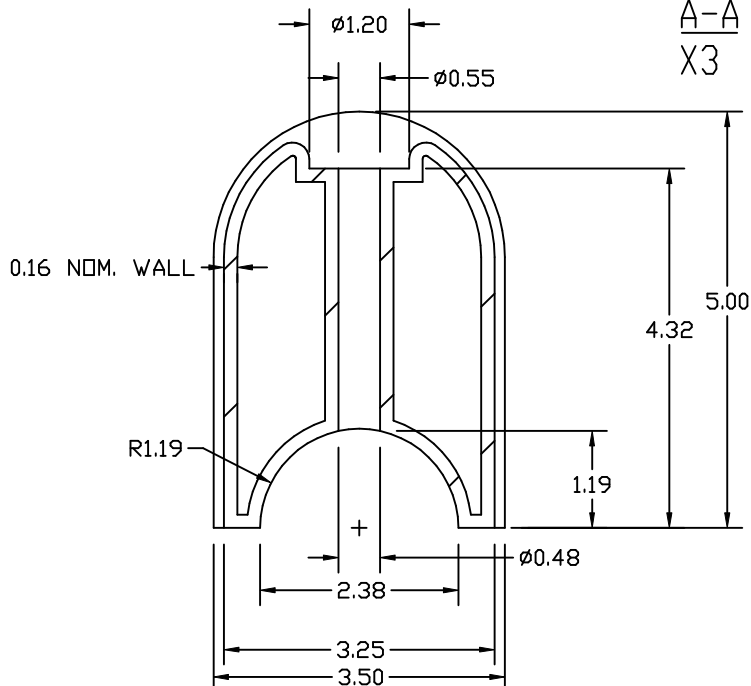
A



SECTION A-A



A-A
X3



DRAWN / DATE
NVE 3/24/06

MATERIAL

FLEX
MU736-00 OR EQUAL EVA @ 2.0 LB.
FIRM
MOBIL 135 OR EQUAL # 2.0 LB.



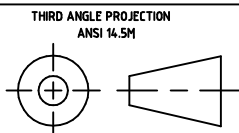
ACE ROTO-MOLD

A DIVISION OF DEN HARTOG INDUSTRIES, INC.
4010 HOSPERS DRIVE S. BOX 425, HOSPERS, IOWA 51238-0421

CLIENT / DESCRIPTION

ACE NO. 3 ROUND CUSHION

ALL DIMENSIONS ARE IN DECIMAL INCHES
TOLERANCES UNLESS OTHERWISE SPECIFIED
± 1% @ 68° F



NOTES:
1. WHITE OR YELLOW COLOR
2. NOM. WALL @ .160
3. ADD U.V. INHIBITOR TO
EVA RESIN MIX

SCALE
N.S.

PART NO.
DC-3ST-WE

REV	DESCRIPTION	DATE	APPRD
A	MATERIAL/ADDRESS UPDATED CCN1275	ADH 12/18/07	

APPRD / DATE
REH/4/17/06