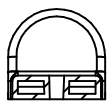


PROPRIETARY DATA

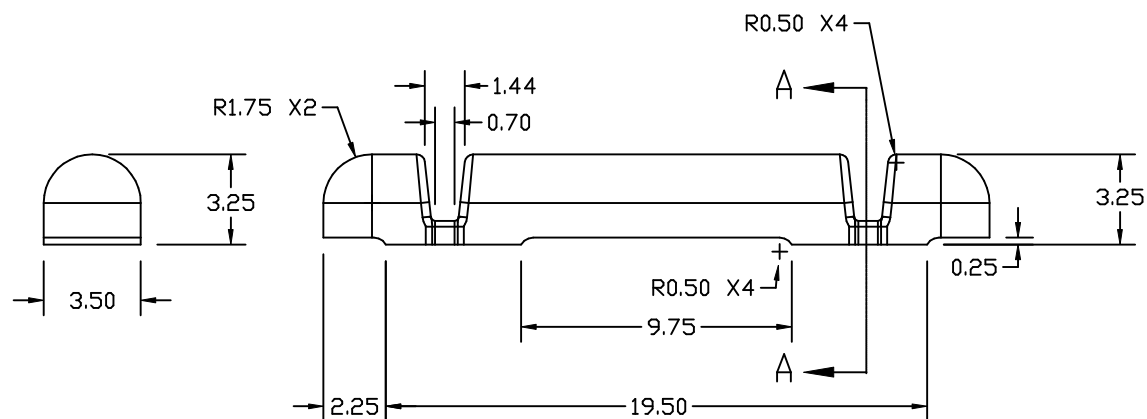
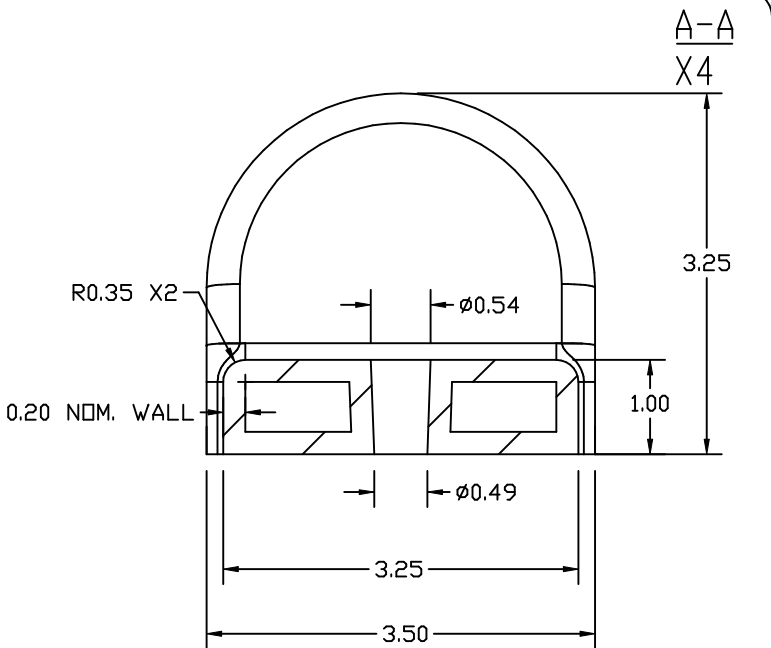
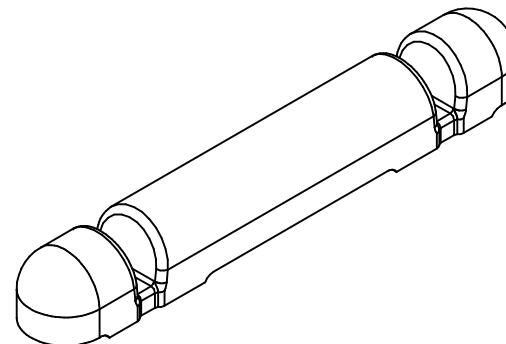
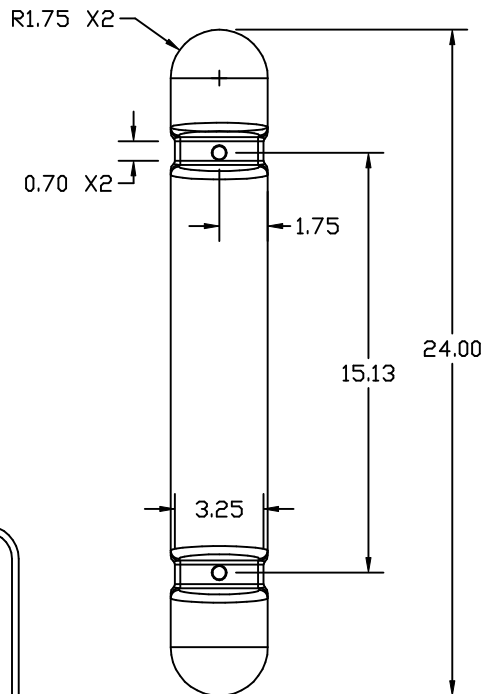
PROPERTY OF ACE ROTO-MOLD MFG., INC. INFORMATION FURNISHED HEREIN IS THE PROPERTY OF ACE ROTO-MOLD MFG., INC. AND SHALL NOT BE USED, DISCLOSED TO OTHERS, OR COPIED WITHOUT THE EXPRESSED WRITTEN CONSENT OF ACE ROTO-MOLD MFG., INC. ALL RIGHTS RESERVED.

DC-4ST-WE

A



SECTION A-A



DRAWN / DATE

NVE 3/24/06

MATERIAL

FLEX  $\text{\textcircled{A}}$   
 MU736-00 OR EQUAL EVA @ 2.0 LB.  
 FIRM  $\text{\textcircled{A}}$   
 MOBIL 135 OR EQUAL # 2.0 LB.



ACE ROTO-MOLD

A DIVISION OF DEN HARTOG INDUSTRIES, INC.  
 4010 HOSPERS DRIVE S. BOX 425, HOSPERS, IOWA 51238-0421

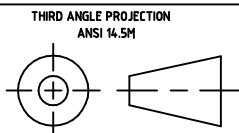
REV	DESCRIPTION	DATE	APPRD
A	MATERIAL/ADDRESS UPDATED	CCN1275	ADH 12/18/07

APPRD / DATE
REH/4/17/06

CLIENT / DESCRIPTION

ACE NO. 4 ROUND CUSHION

ALL DIMENSIONS ARE IN DECIMAL INCHES  
 TOLERANCES UNLESS OTHERWISE SPECIFIED  
 $\pm$  1% @ 68° F



NOTES:

1. WHITE COLOR
2. NOM. WALL @ .200
3. ADD U.V. INHIBITOR TO EVA RESIN MIX

SCALE

N.S.

PART NO.

DC-4ST-WE