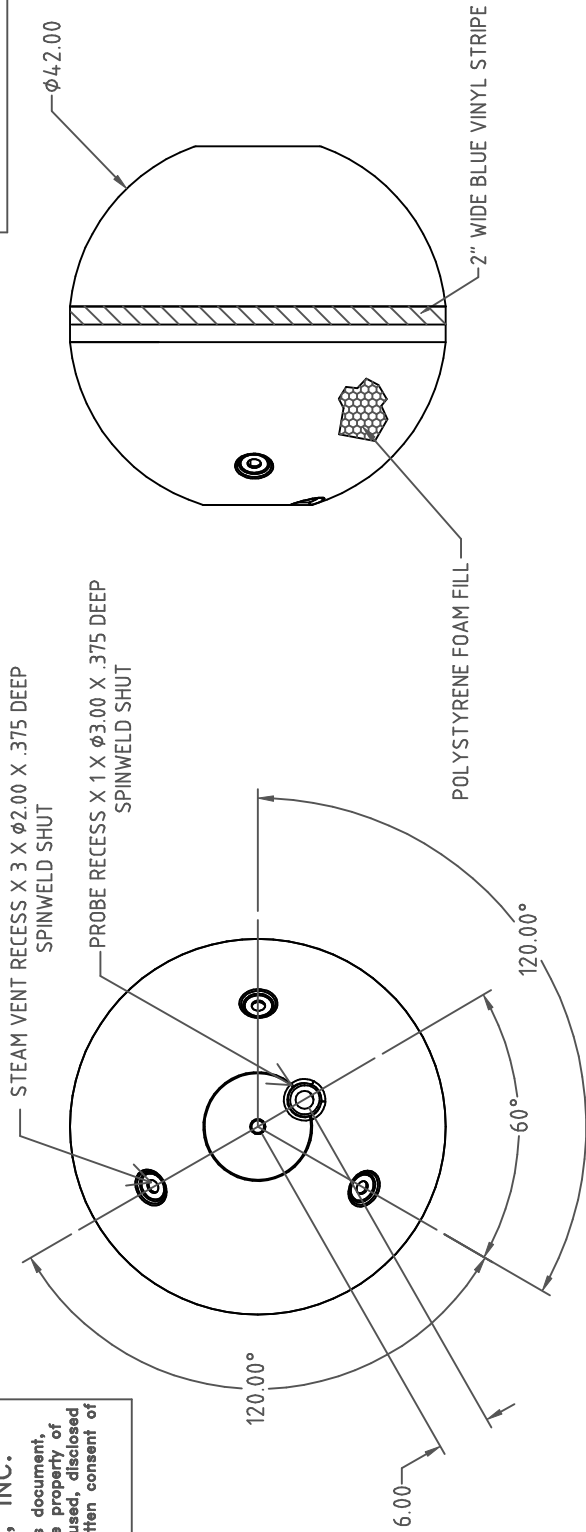


© DEN HARTOG INDUSTRIES, INC.
 Copyright. All information furnished within this document, electronic file or design correspondence is the property of Den Hartog Industries, Inc. and shall not be used, disclosed to others or copied without the expressed written consent of Den Hartog Industries, Inc.

FFMB-4242

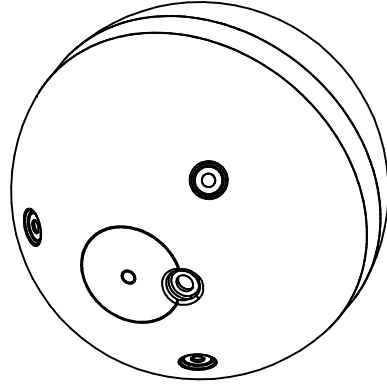
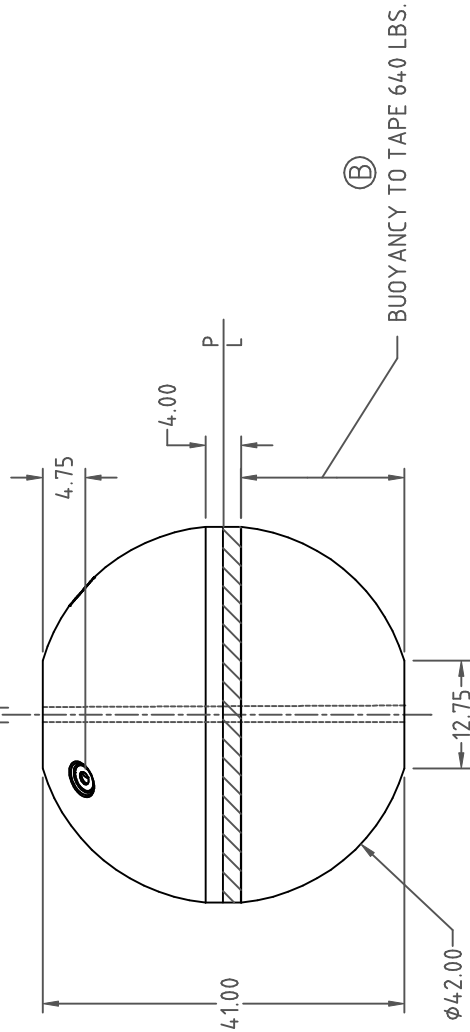
B



NOTES:

1. SHIPPING WEIGHT = 86 LB.
2. SHIP IN CARTON 19149

1.66 O.D. X 12 GA. WALL STEEL TUBING
 INSIDE DIAMETER = 1.3"



REV	DESCRIPTION	DATE	CCN	THIRD ANGLE PROJECTION ANSI 14.5M
B	ADDED USEABLE BUOYANCY	3/28/08 DHJ	CCN1638	
A	SHAFT CUT FLUSH WITH ENDS	5/20/03		
REV	DESCRIPTION	DATE	CCN	

ALL DIMENSIONS ARE IN DECIMAL INCHES
 TOLERANCES UNLESS OTHERWISE SPECIFIED
 ± .5% @ 68° F

MATERIAL / SHOT WEIGHT
 E/M 8460, WHITE
 54 LB.

NOTES:
 1. NOMINAL WALL .275

Ace Roto-Mold
 A DIVISION OF DEN HARTOG INDUSTRIES, INC.
 4010 HOSPERS DRIVE SOUTH, BOX 425, HOSPERS, IA 51238

CLIENT / DESCRIPTION

BUOY, 42" DIA.

SCALE
 DOES NOT APPLY

PART NO.
 FFMB-4242