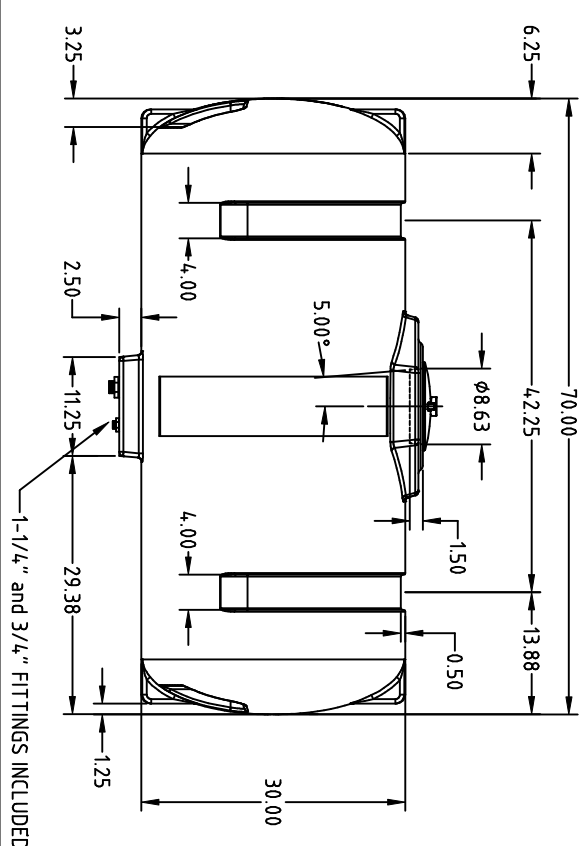
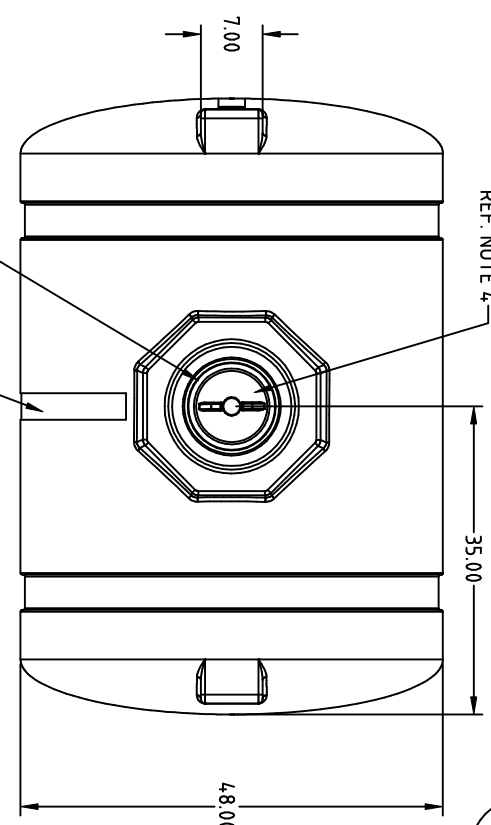
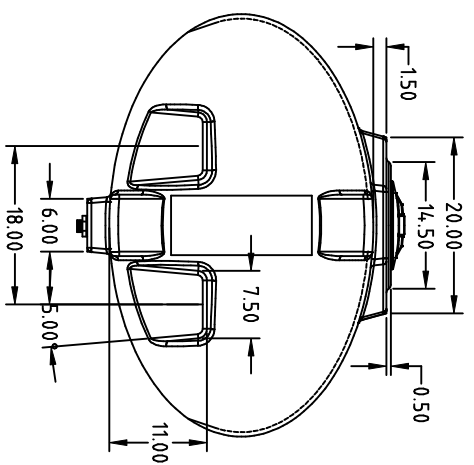
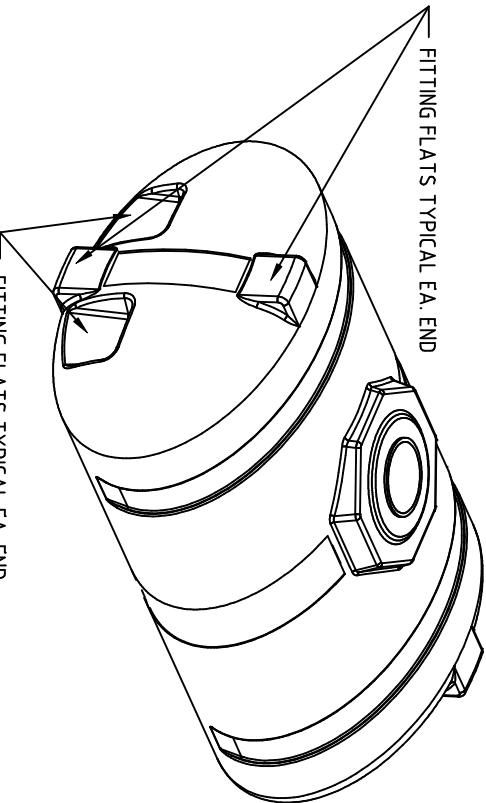


DEN HARTOG INDUSTRIES, INC.

Copyright. All information furnished within this document, electronic file or design correspondence is the property of Den Hartog Industries, Inc. and shall not be used, disclosed to others or copied without the expressed written consent of Den Hartog Industries, Inc.



STANDARD LID IS 8" (A)
5" AND 7" LIDS ARE AVAILABLE
GALLON / LITER INDICATORS ONE SIDE AND ONE END.
GALLON CALIBRATIONS ARE IN 25 GAL. INCREMENTS

HE0300-48

A

REV	DESCRIPTION	DATE	APPRD
A	ADDED 7" LID OPTION CCN1773	REH 1/5/09	APPRD.

DRAWN / DATE	REH/4/9/01
APPRD. / DATE	DHJ/4/9/01

MATERIAL	SHOT WEIGHT
M111	M134
U625	P938
112	

ACE ROTO-MOLD
A DIVISION OF DEN HARTOG INDUSTRIES, INC.
4010 HOSPERS DRIVE SOUTH, BOX 425, HOSPERS, IA 51238

CLIENT / DESCRIPTION: 300 GALLON ELLIPTICAL TANK

SCALE: N.S. PART NO.: HE0300-48

NOTES:
1. .300 NOMINAL WALL

THIRD ANGLE PROJECTION
ANSI 14.5M

ALL DIMENSIONS ARE IN DECIMAL INCHES
TOLERANCES UNLESS OTHERWISE SPECIFIED
+ .5% @ 68° F