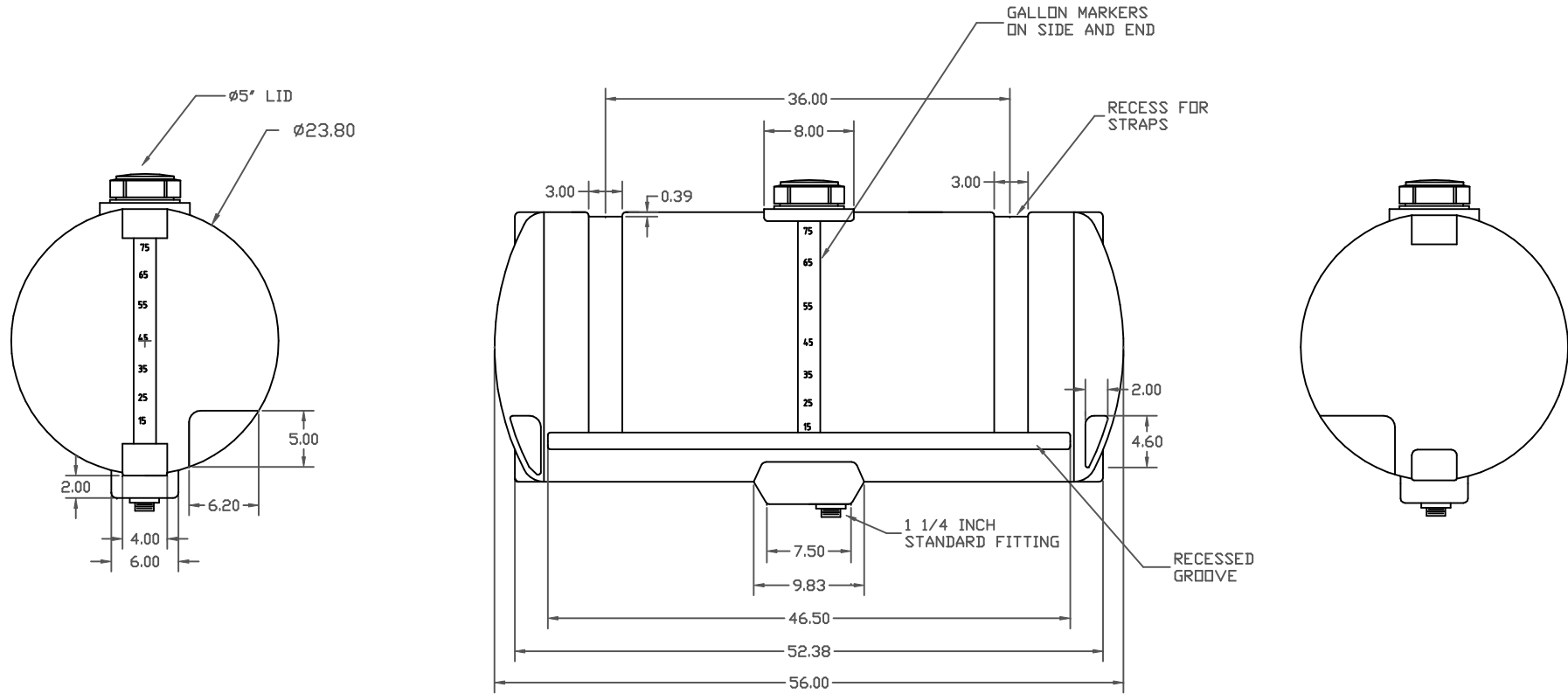


PROPRIETARY DATA

HZ0095-24

A

PROPERTY OF ACE ROTO-MOLD MFG., INC. INFORMATION FURNISHED HEREIN IS THE PROPERTY OF ACE ROTO-MOLD MFG., INC. AND SHALL NOT BE USED, DISCLOSED TO OTHERS, OR COPIED WITHOUT THE EXPRESSED WRITTEN CONSENT OF ACE ROTO-MOLD MFG., INC. ALL RIGHTS RESERVED.



A	UPDATE FITTING	9/6/06		
REV	DESCRIPTION	DATE	APPRD	

ALL DIMENSIONS ARE IN DECIMAL INCHES
TOLERANCES UNLESS OTHERWISE SPECIFIED

± 1% @ 68° F

DRAWN / DATE NVE 6/7/05	MATERIAL HDPE OR EQUIVALENT REFERENCE MATERIAL DATA SHEET FOR SPECIFIC PROPERTIES.
APPRD. / DATE DHJ 6/21/05	
THIRD ANGLE PROJECTION ANSI 14.5M	NOTES: 1. NOM. WALL @ .200 2. WHITE OR COLOR 3. SHOT WEIGHT 35 LBS.

<p>ACE ROTO-MOLD A DIVISION OF DEN HARTOG INDUSTRIES, INC. 4018 HWY. 60 BLVD., BOX 421, HOSPERS, IOWA 51238</p>	
CLIENT / DESCRIPTION 95 GALLON HORIZONTAL TANK	
SCALE N.S.	PART NO. HZ0095-24