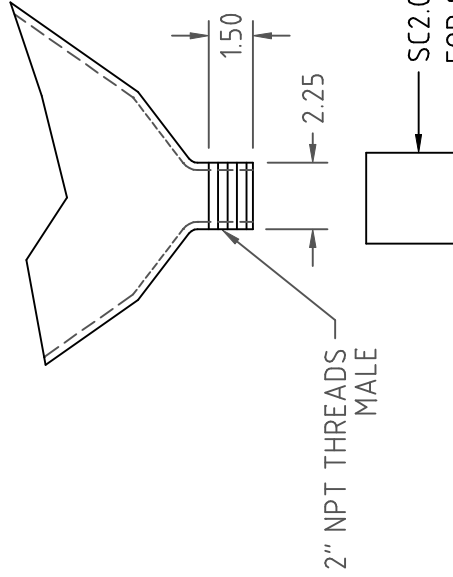


PROPRIETARY DATA

PROPERTY OF ACE ROTO-MOLD MFG., INC. INFORMATION FURNISHED HEREIN IS THE PROPERTY OF ACE ROTO-MOLD MFG., INC. AND SHALL NOT BE USED, DISCLOSED TO OTHERS, OR COPIED WITHOUT THE EXPRESSED WRITTEN CONSENT OF ACE ROTO-MOLD MFG., INC. ALL RIGHTS RESERVED.

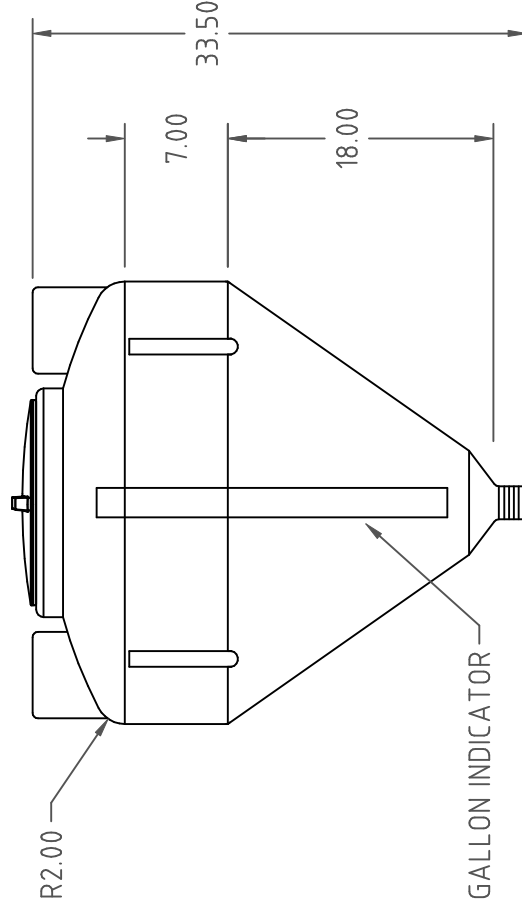
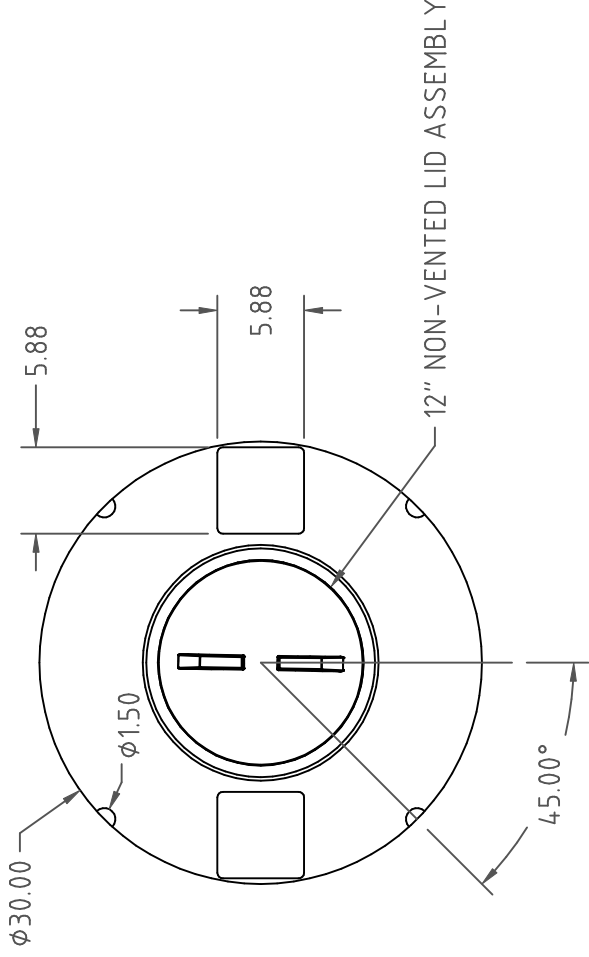
OUTLET DETAIL



(B)

IN0040-30

B



ACE ROTO-MOLD
A DIVISION OF DEN HARTOG INDUSTRIES, INC.
4018 HWY. 60 BLVD., BOX 421, HOSPERS, IOWA 51238

CLIENT / DESCRIPTION

40 GAL. INDUCTOR TANK

SCALE N.S. PART NO.

IN0040-30

MATERIAL

26 LB. MOBIL 134

NOTES:

- 1. NATURAL COLOR
- 2. NOM. WALL .190

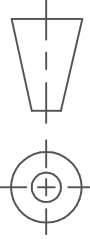
DRAWN / DATE

REH / 8/7/02

APPRD. / DATE

REH / 8/7/02

THIRD ANGLE PROJECTION
ANSI 14.5M



ALL DIMENSIONS ARE IN DECIMAL INCHES
TOLERANCES UNLESS OTHERWISE SPECIFIED
+ .5% @ 68° F