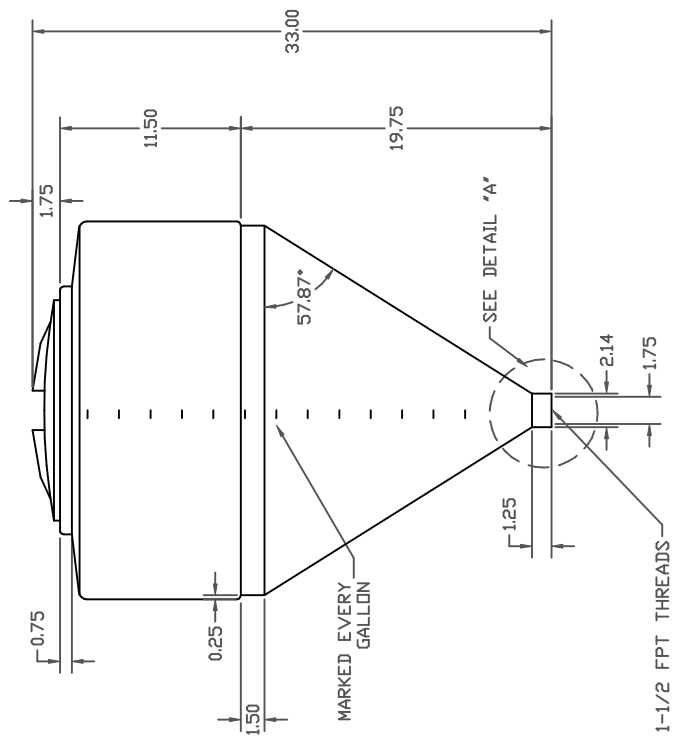
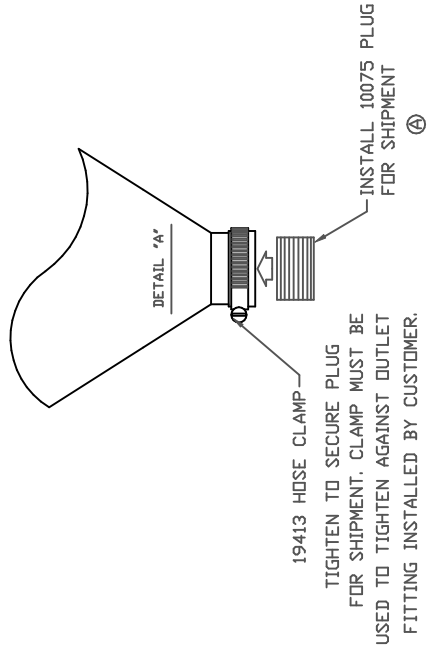
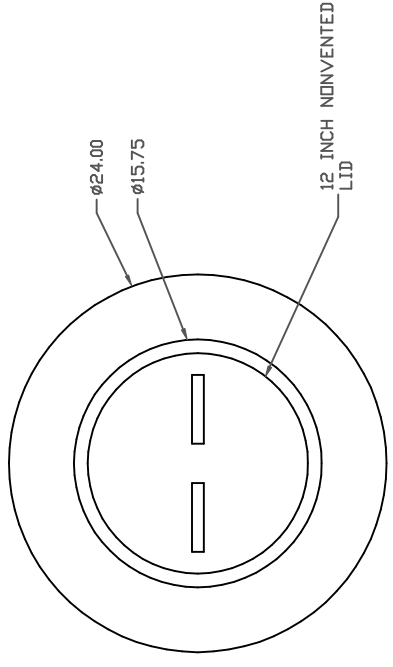


PROPRIETARY DATA
 INFORMATION FURNISHED HEREIN IS THE PROPERTY OF DEN HARTOG INDUSTRIES INC. AND SHALL NOT BE USED, DISCLOSED TO OTHERS, OR COPIED WITHOUT EXPRESSED WRITTEN CONSENT OF DEN HARTOG IND. ALL RIGHTS RESERVED.

INF D30-24
A



<p>Ace Roto-Mold A DIVISION OF DEN HARTOG INDUSTRIES, INC. HOSPERS DRIVE SOUTH, BOX 421, HOSPERS, IOWA 51238</p>		<p>CLIENT / DESCRIPTION 30 GALLON INDUCTOR (FULL DRAIN)</p>		<p>SCALE NONE</p>	<p>PART NO. INF D30-24</p>
<p>MATERIAL POLYETHYLENE</p>		<p>NOTES: .22 WALL</p>		<p>THIRD ANGLE PROJECTION ANSI 14.5M</p>	
<p>DRAWN / DATE DHJ 2/7/07</p>		<p>APPROD. / DATE REH 6/29/07</p>		<p>ALL DIMENSIONS ARE IN DECIMAL INCHES TOLERANCES UNLESS OTHERWISE SPECIFIED ± 1 % @ 68°F</p>	
<p>REV A</p>	<p>DESCRIPTION 10075 PLUG WAS 19412 PLUG CCN 1579</p>	<p>DATE 1/28/08</p>	<p>APPROD. ADH</p>	<p>15 LBS.</p>	