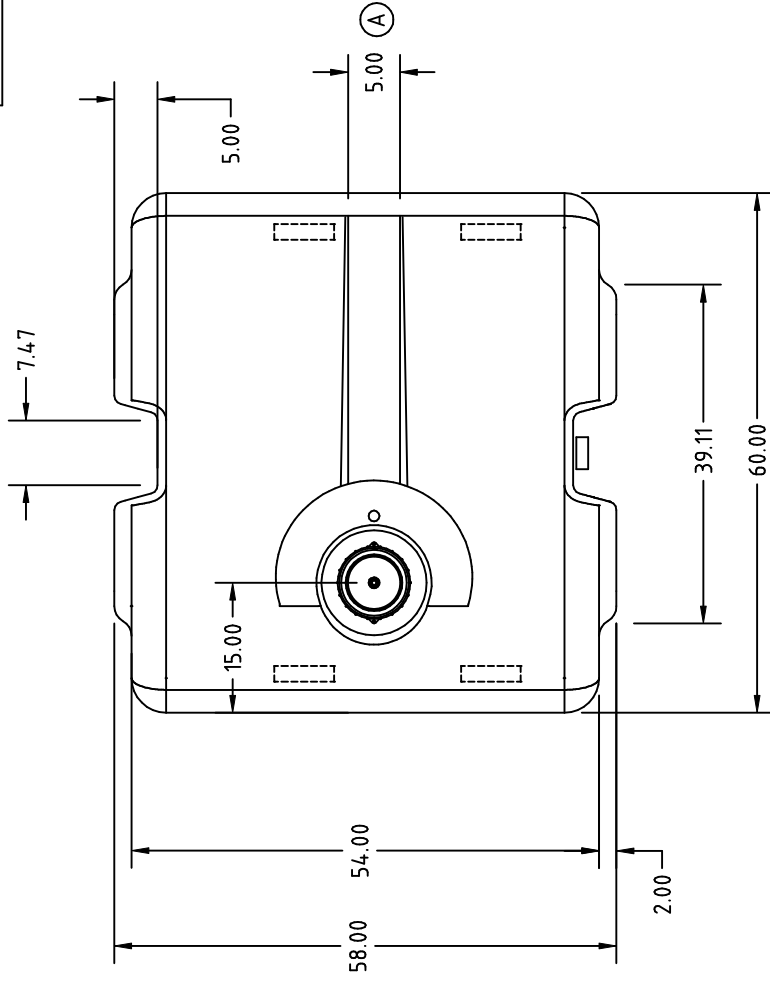


PROPRIETARY DATA

PROPERTY OF ACE ROTO-MOLD MFG. INC. INFORMATION FURNISHED HEREIN IS THE PROPERTY OF ACE ROTO-MOLD MFG. INC. AND SHALL NOT BE USED, DISCLOSED TO OTHERS, OR COPIED WITHOUT THE EXPRESSED WRITTEN CONSENT OF ACE ROTO-MOLD MFG. INC. ALL RIGHTS RESERVED.

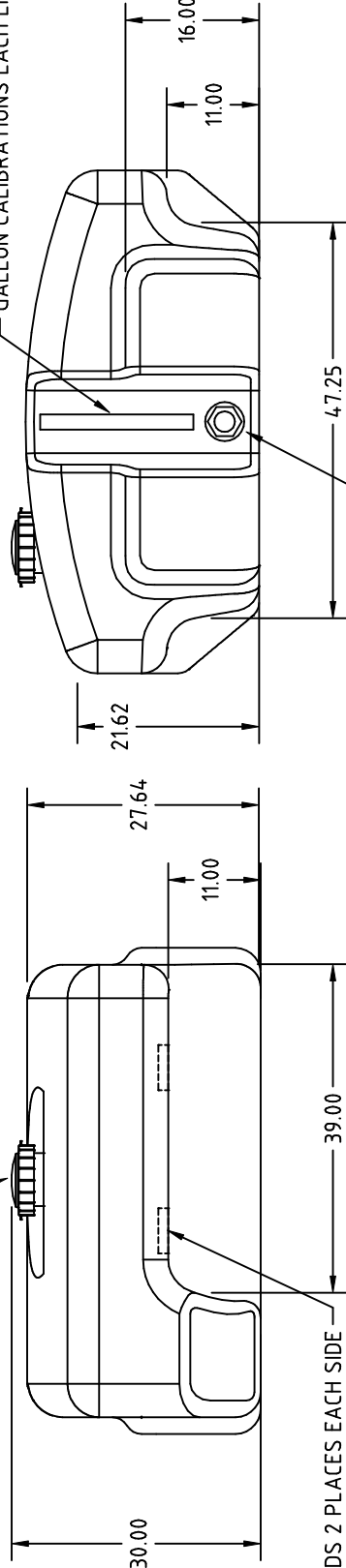
PU0305-60

B



12414 7" VENTED LID ASSEMBLY AND 12460 LANYARD

GALLON CALIBRATIONS EACH END OF TANK



HAND HOLDS 2 PLACES EACH SIDE

STANDARD FITTING IS 2" WITH SYPHON TUBE

**ACE ROTO-MOLD**  
 A DIVISION OF DEN HARTOG INDUSTRIES, INC.  
 4018 HWY. 60 BLVD., BOX 421, HOSPERS, IOWA 51238

CLIENT / DESCRIPTION

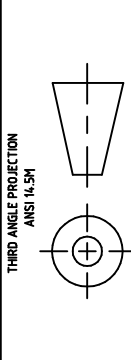
MATERIAL  
 10/20 3 MELT POWDER  
 REFERENCE MATERIAL DATA SHEET  
 FOR SPECIFIC PROPERTIES.

DRAWN / DATE REH/12/29/05  
 APPRD. / DATE DHJ/12/29/05

THIRD ANGLE PROJECTION  
 ANSI 14.3M

305 GALLON PICKUP TANK

NOTES:  
 1. NOM. WALL @ .225  
 2. NATURAL OR YELLOW COLOR  
 3. SHOT WEIGHT 95 LBS.



ALL DIMENSIONS ARE IN DECIMAL INCHES  
 TOLERANCES UNLESS OTHERWISE SPECIFIED  
 ± .1% @ 68° F

SCALE N.S.

PART NO.

PU0305-60