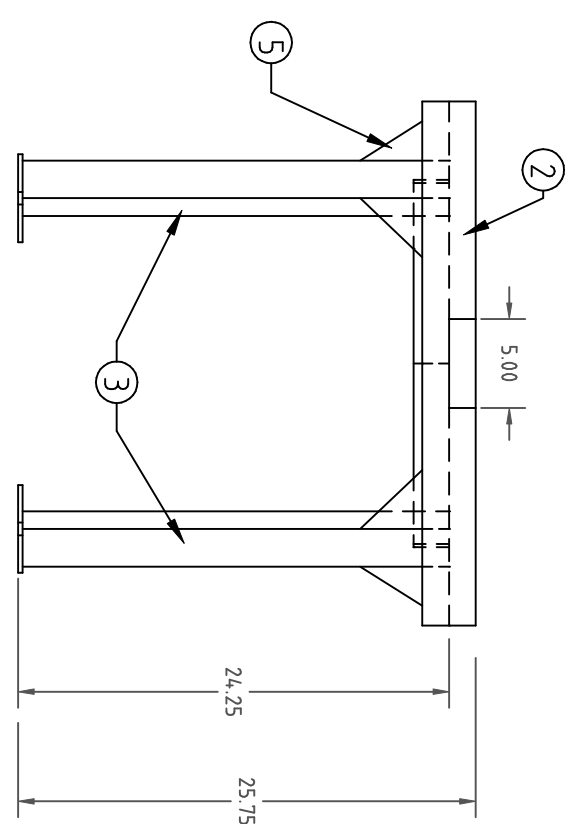
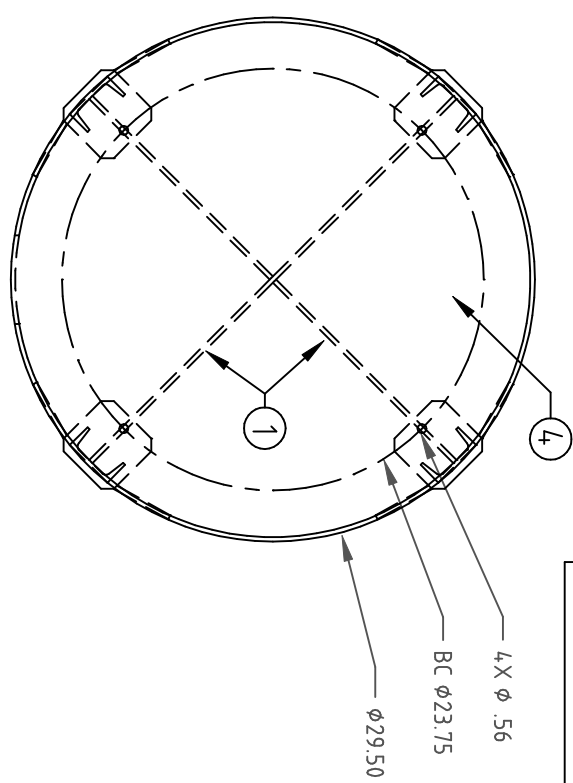
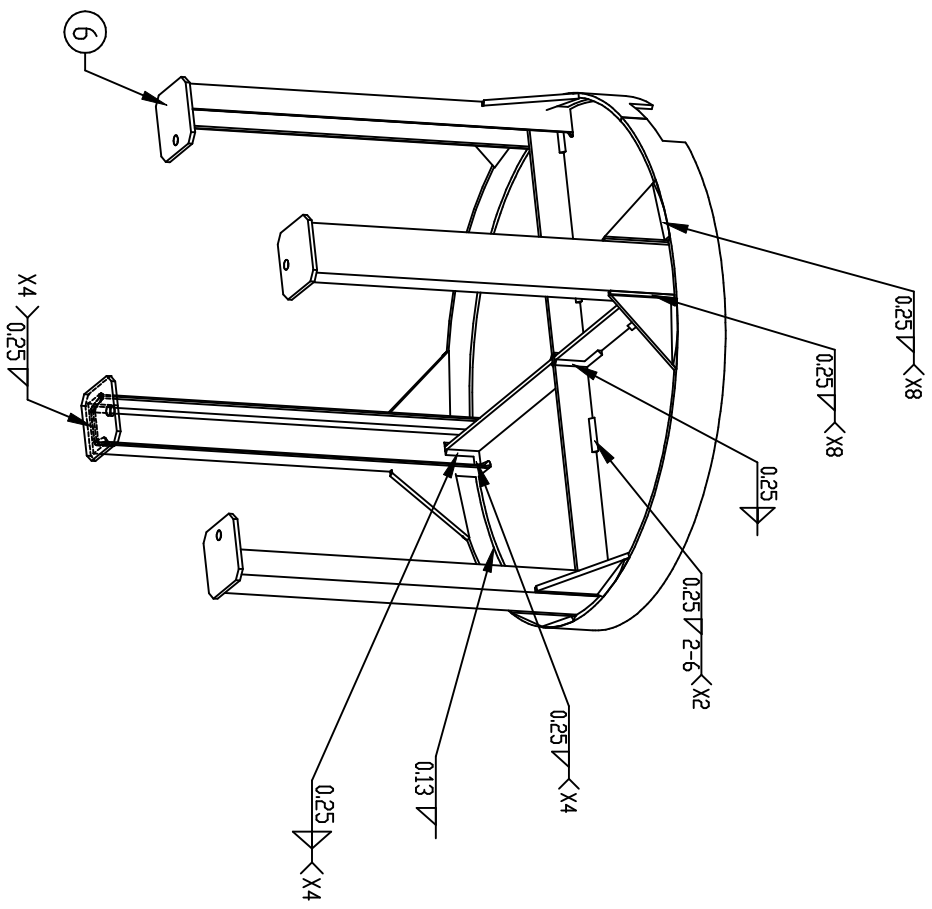


PROPRIETARY DATA

PROPERTY OF DEN HARTOG INDUSTRIES, INC. INFORMATION FURNISHED HEREIN IS THE PROPERTY OF DEN HARTOG INDUSTRIES, INC. AND SHALL NOT BE USED, DISCLOSED TO OTHERS, OR COPIED WITHOUT THE EXPRESSED WRITTEN CONSENT OF DEN HARTOG INDUSTRIES, INC. ALL RIGHTS RESERVED.

VT160-285T



KEY	PART NUMBER	DESCRIPTION	QTY.
1	B02500X20000	1/4 X 2 FLAT BAR	57.00 IN
2	B02500X30000	1/4 X 3 FLAT BAR	93.00 IN
3	C03X41	3" CHANNEL	96.00 IN
4	S-14GA	14 GA SHEET	900.00 SI
5	S-2500	1/4" MILD STEEL SHEET	64.00 SI
6	SJCB85/90ST-7	1/4" X 4" X 4" X 4" LEG PAD	4

REV	DESCRIPTION	DATE	APPRD
C	C03X41 WAS C03X42 (CN 1863)	5/13/09	ADH
B	TOLERANCE WAS 1% @ 68° F	3/13/07	GWG
A	ADDED B.O.M. AND WELD DESC	7/17/06	NVE

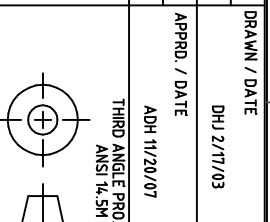
REV	DESCRIPTION	DATE	APPRD
C	ADDED B.O.M. AND WELD DESC	7/17/06	NVE

REV	DESCRIPTION	DATE	APPRD
C	ADDED B.O.M. AND WELD DESC	7/17/06	NVE

REV	DESCRIPTION	DATE	APPRD
C	ADDED B.O.M. AND WELD DESC	7/17/06	NVE

ALL DIMENSIONS ARE IN DECIMAL INCHES  
TOLERANCES UNLESS OTHERWISE SPECIFIED

DECIMAL +/- .125"  
FRACTION +/- 1/4"  
ANGLE +/- 1°



THIRD ANGLE PROJECTION  
ANSI 14.5M

NOTES:  
1. POWDER COATED  
2. WEIGHT 83 LBS.

MATERIAL: MILD STEEL

CLIENT / DESCRIPTION: METAL STAND FOR 160 GALLON VERTICAL TANK

SCALE: N.S.

PART NO.: VT160-285T



ACE ROTO-MOLD  
A DIVISION OF DEN HARTOG INDUSTRIES, INC.  
4010 HOSPERS DRIVE S. BOX 425, HOSPERS, IA 51238