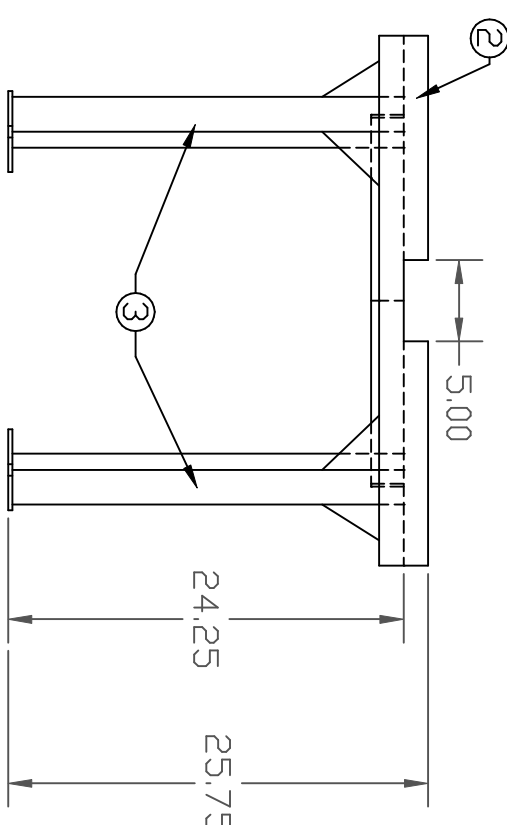
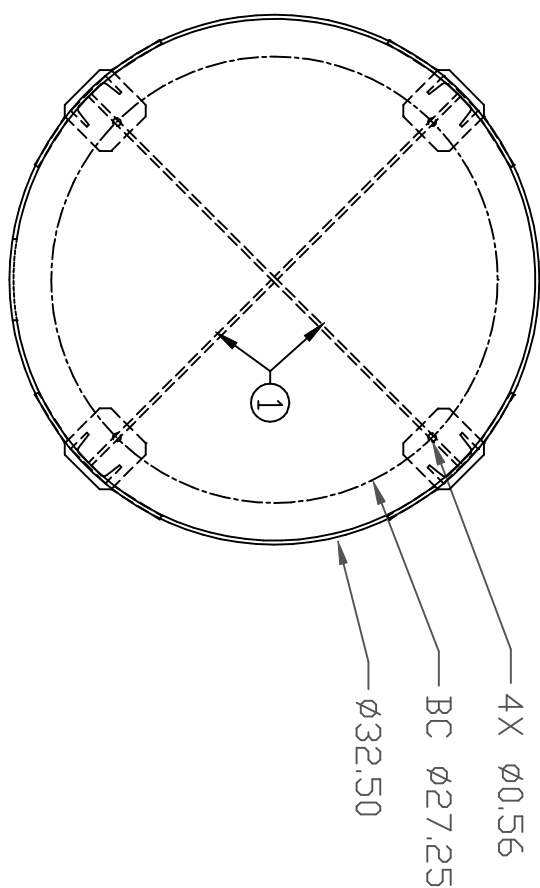
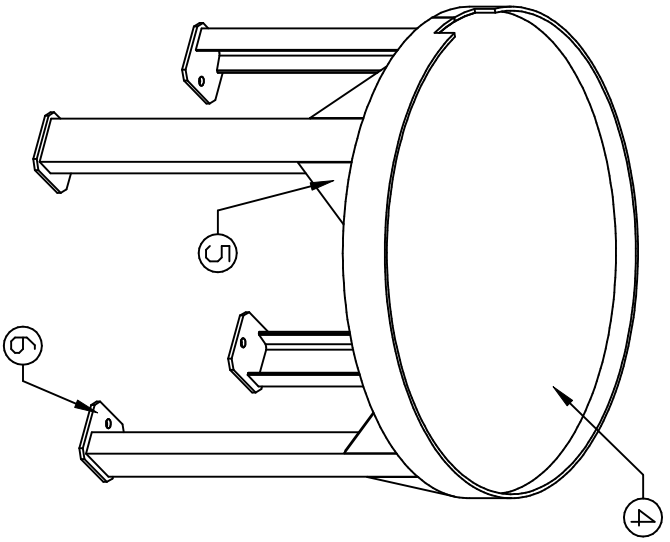


PROPERTY OF DEN HARTOG INDUSTRIES, INC. INFORMATION FURNISHED HEREIN IS THE PROPERTY OF DEN HARTOG INDUSTRIES, INC. AND SHALL NOT BE USED, DISCLOSED TO OTHERS, OR COPIED WITHOUT THE EXPRESSED WRITTEN CONSENT OF DEN HARTOG INDUSTRIES, INC. ALL RIGHTS RESERVED.

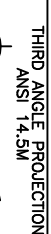


KEY	PART NUMBER	DESCRIPTION	QTY.
1	BD2500X20000	1/4 X 2 FLAT BAR	63.00 IN
2	BD2500X30000	1/4 X 3 FLAT BAR	107.00 IN
3	CO3X42	3" CHANNEL	96.00 IN
4	S-14GA	14 GA SHEET	1024.00 SI
5	S-2500	1/4" MILD STEEL SHEET	64.00 SI
6	SJCBB85/90ST-7	1/4" X 4" X 4" LEG PAD	4

REV	DESCRIPTION	DATE	APPRD
B	TOLERANCE WAS 1% @ 68° F	3/13/07	GWC
A	ADDED B.O.M. AND WELD DESC	7/17/06	NVE

DRAWN / DATE	MATERIAL
DHL 2/17/03	MILD STEEL

ALL DIMENSIONS ARE IN DECIMAL INCHES
TOLERANCES UNLESS OTHERWISE SPECIFIED
DECIMAL +/- .125"
FRACTION +/- 1/4"
ANGLE +/- 1°



THIRD ANGLE PROJECTION
ANSI 14.5M

NOTES:
1. POWDER COATED
2. WEIGHT 89 LBS.



CLIENT / DESCRIPTION
METAL STAND FOR 265 GALLON VERTICAL TANK

SCALE N.S. PART NO. VT265-31ST