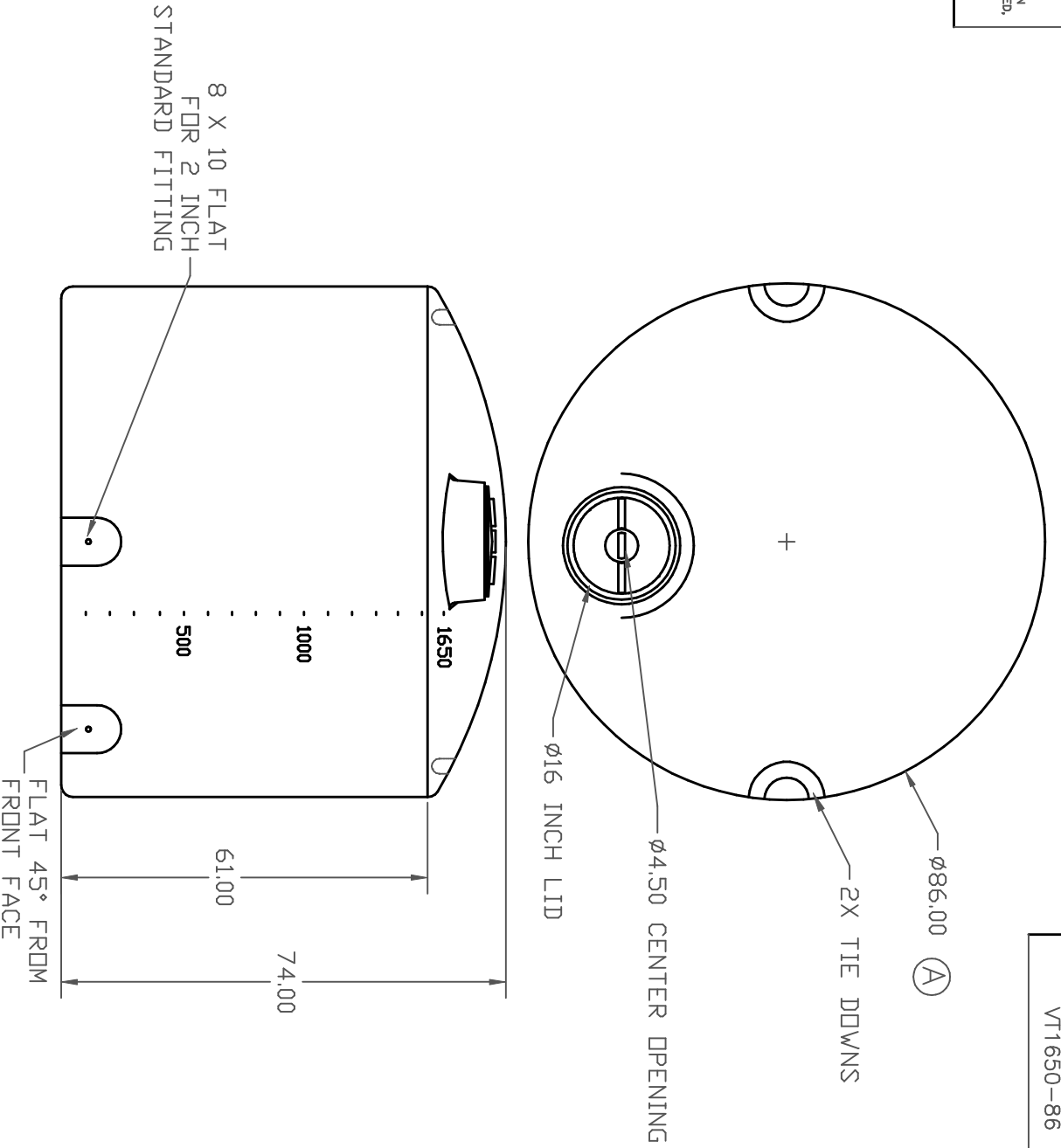


PROPERTY OF DEN HARTOG INDUSTRIES, INC. INFORMATION FURNISHED HEREIN IS THE PROPERTY OF DEN HARTOG INDUSTRIES, INC. AND SHALL NOT BE USED, DISCLOSED TO OTHERS, OR COPIED WITHOUT THE EXPRESSED WRITTEN CONSENT OF DEN HARTOG INDUSTRIES, INC. ALL RIGHTS RESERVED.



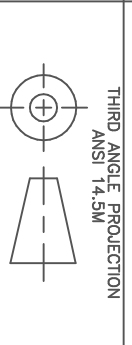
REV/DESCRIPTION	DATE	APPRD
B	9/6/06	
A	7/31/06	APPRD

DRAWN / DATE	DHU 1/14/05
APPRD. / DATE	

MATERIAL  
 HDPE OR EQUIVALENT  
 REFERENCE MATERIAL DATA SHEET  
 FOR SPECIFIC PROPERTIES.

CLIENT / DESCRIPTION  
**ACE ROTO-MOLD**  
 A DIVISION OF DEN HARTOG INDUSTRIES, INC.  
 4010 HWY. 60 BLVD, BOX 425, HOSPERS, IOWA 51238

ALL DIMENSIONS ARE IN DECIMAL INCHES  
 TOLERANCES UNLESS OTHERWISE SPECIFIED  
 ± 1% @ 68° F



NOTES:  
 1. NOM. WALL @ .300  
 2. SHOT WEIGHT 278 LBS.

SCALE N.S.  
 PART NO. VT1650-86  
 1650 GALLON VERTICAL TANK