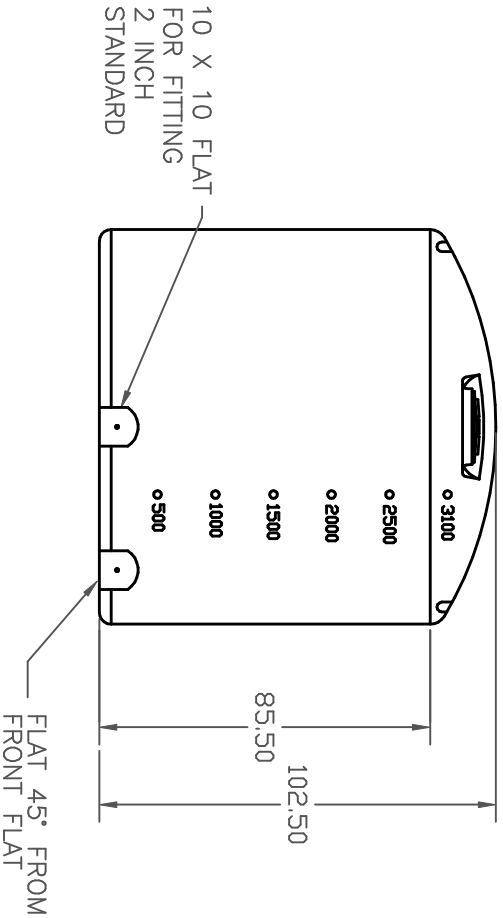
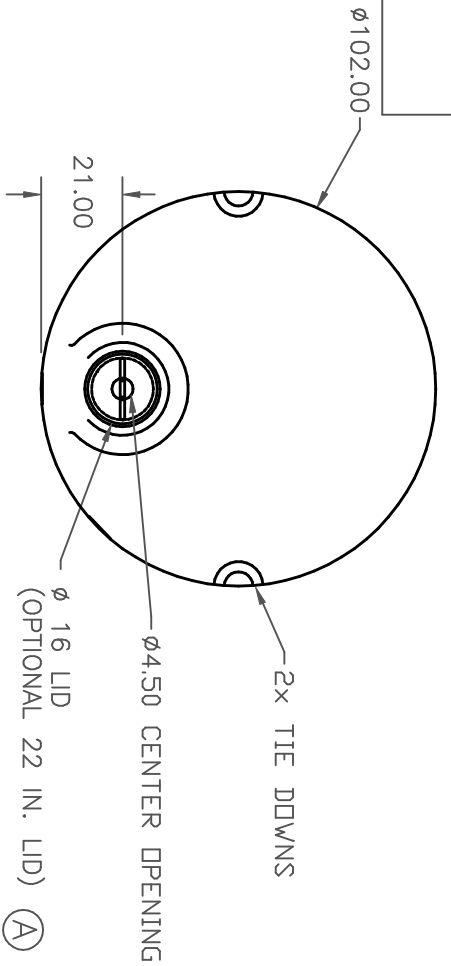


PROPRIETARY DATA

PROPERTY OF ACE ROTO-MOLD MFG. INC. INFORMATION FURNISHED HEREIN IS THE PROPERTY OF ACE ROTO-MOLD MFG. INC. AND SHALL NOT BE USED, DISCLOSED TO OTHERS, OR COPIED WITHOUT THE EXPRESSED WRITTEN CONSENT OF ACE ROTO-MOLD MFG. INC. ALL RIGHTS RESERVED.

VT3100-102 A



DRAWN / DATE DHJ/1/16/03		MATERIAL / SHOT WEIGHT 550 LBS.		 Ace Roto-Mold A DIVISION OF DEN HARTOG INDUSTRIES, INC.	
APPRD. / DATE 6/26/07 DHJ		NOTES:			

REV	DESCRIPTION	DATE APPRD.	THIRD ANGLE PROJECTION ANSI 14.5M	CLIENT / DESCRIPTION 3100 GALLON VERTICAL TANK	PART NO. VT3100-102
A	CLEARIFY LID SIZE			SCALE NONE	

ALL DIMENSIONS ARE IN DECIMAL INCHES
TOLERANCES UNLESS OTHERWISE SPECIFIED
 $\pm 1\%$ @ 68° F