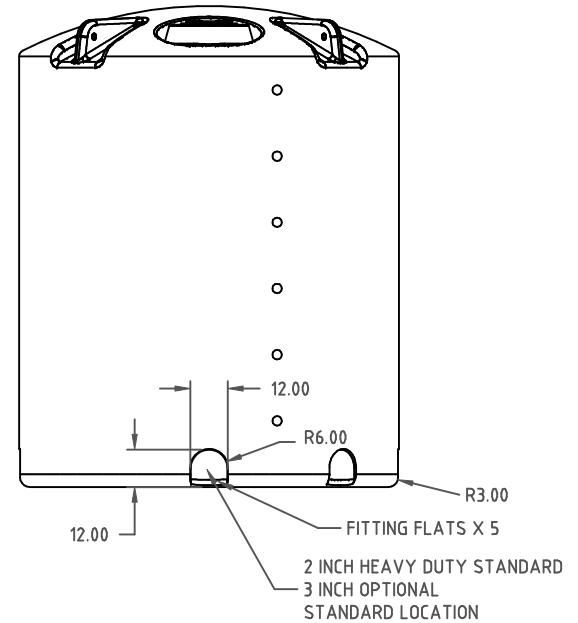
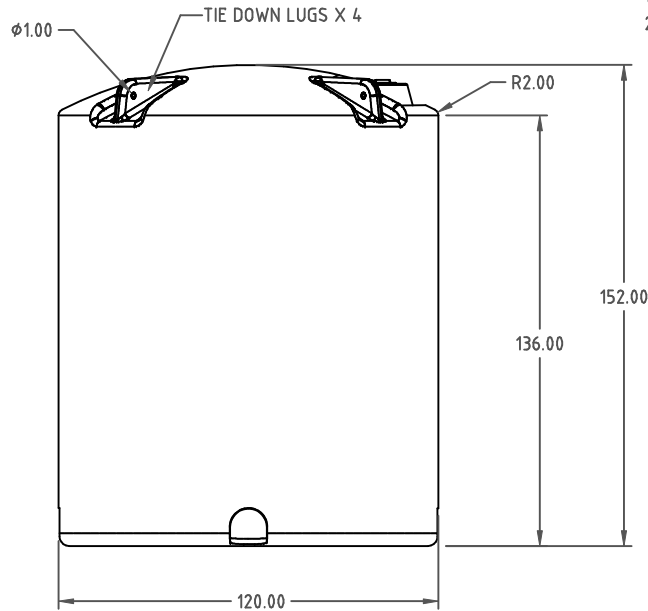
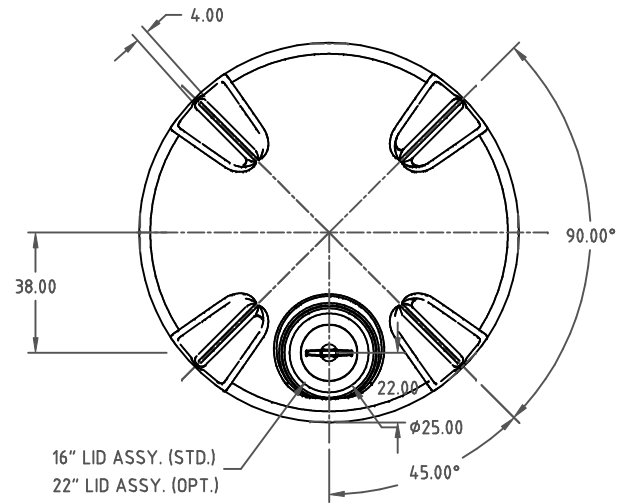
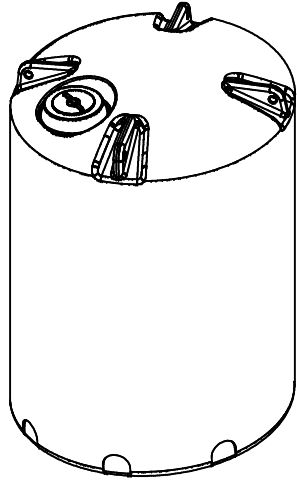


Copyright. All information furnished within this document, electronic file or design correspondence is the property of Den Hartog industries, Inc. and shall not be used, disclosed to others or copied without the expressed written consent of Den Hartog Industries, Inc.



				DRAWN / DATE DHJ 8/27/08	MATERIAL 10538 2 MELT
B	1500 WAS 1400	REH 6/4/09	1875	APPRD. / DATE REH 3/20/09	
A	ADD THICKNESS AT FLAT	DHJ 5/7/09			
REV	DESCRIPTION	BY / DATE	CCN		
ALL DIMENSIONS ARE IN DECIMAL INCHES TOLERANCES UNLESS OTHERWISE SPECIFIED		THIRD ANGLE PROJECTION ANSI 14.5M		SHOT WEIGHT: 1500 LBS. (B)	NOTES: 1. STANDARD COLORS ARE WHITE, YELLOW AND BLACK 2. 0.87 WALL @ FLAT (A)
POLYETHYLENE		METAL DECIMAL ± .125" FRACTION ± 1/4" ANGLE ± 1°		SHIPPING WEIGHT: 1502 LBS.	
±1% @ 68° F				FINISH:	

Den Hartog
INDUSTRIES, INC.
Ace Roto-Mold Injection Molding Blow Molding Sawjoy
4010 HOSPERS DRIVE S. BOX 425, HOSPERS, IOWA 51238-0421

DESCRIPTION	6500 GALLON VERTICAL TANK		
SCALE	N.S.	PART NO.	VT6500-120