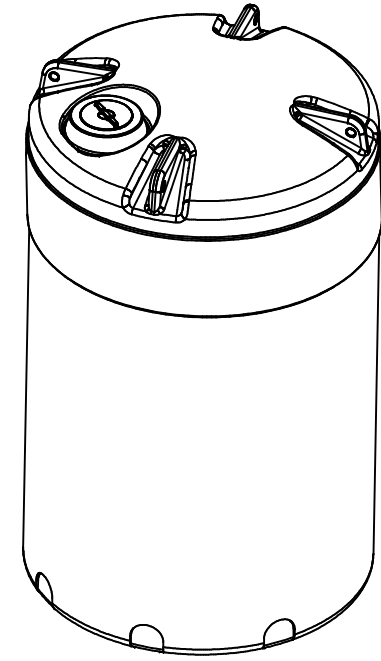
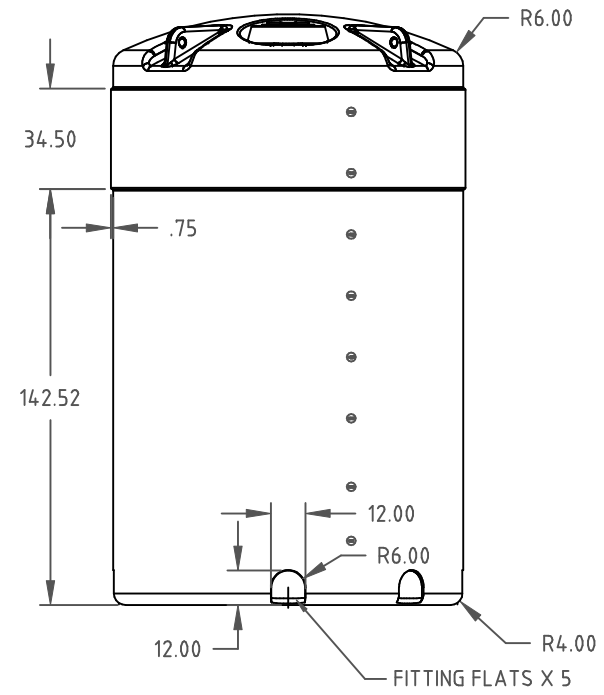
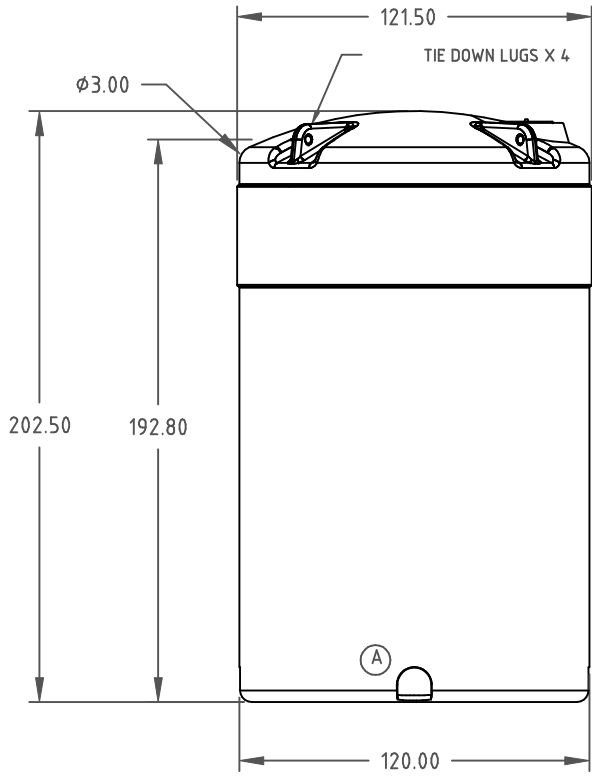
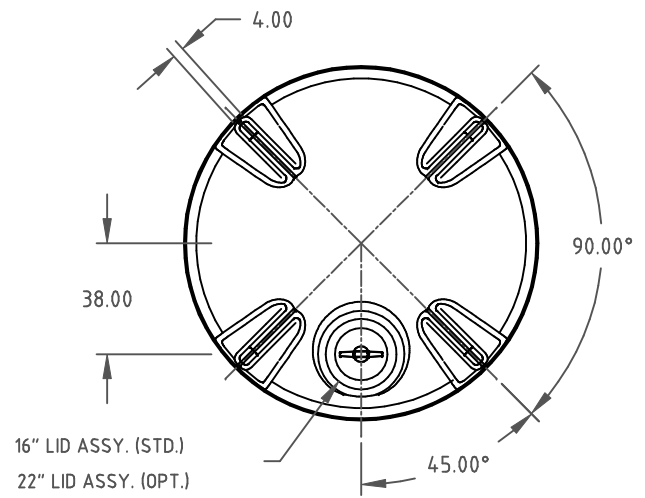


Copyright. All information furnished within this document, electronic file or design correspondence is the property of Den Hartog Industries, Inc. and shall not be used, disclosed to others or copied without the expressed written consent of Den Hartog Industries, Inc.



REV	DESCRIPTION	BY / DATE	CCN
A	CORRECT VIEW PERSPECTIVE. DRAWING TEMPLATE UPDATED	DHJ 6/25/09	1895
ALL DIMENSIONS ARE IN DECIMAL INCHES TOLERANCES UNLESS OTHERWISE SPECIFIED POLYETHYLENE ±1% @ 68° F		THIRD ANGLE PROJECTION ANSI 14.5M	
METAL DECIMAL ± .125" FRACTION ± 1/4" ANGLE ± 1°			

DRAWN / DATE	MATERIAL
DHJ/1/25/02	1.) M111
APPRD. / DATE	
REH/1/25/02	
SHOT WEIGHT:	NOTES:
2200 LBS	1. 1.14 WALL@ FLAT
SHIPPING WEIGHT:	
2202 LBS	
FINISH:	

# Den Hartog

INDUSTRIES, INC.

Ace Roto-Mold Injection Molding Blow Molding SowJoy  
4010 HOSPERS DRIVE S. BOX 425, HOSPERS, IOWA 51238-0421

DESCRIPTION		ACE 9150 GALLON TANK	
SCALE	N.S.	PART NO.	VT9150-120