

PROPRIETARY DATA

PROPERTY OF ACE ROTO-MOLD MFG., INC. INFORMATION FURNISHED HEREIN IS THE PROPERTY OF ACE ROTO-MOLD MFG., INC. AND SHALL NOT BE USED, DISCLOSED TO OTHERS, OR COPIED WITHOUT THE EXPRESSED WRITTEN CONSENT OF ACE ROTO-MOLD MFG., INC. ALL RIGHTS RESERVED.

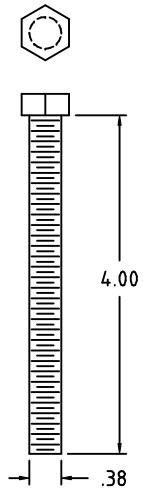
MATERIAL / PARTS SCHEDULE

12449-Z

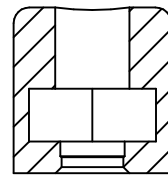
B

PART #	DESCRIPTION	QTY.
11093	3/8 ZINC PLATED HEX NUT	1
12602	BOLT, 3/8-16 X 4 SS	1
11094	WASHER, 3/8 X 1 OD FLAT SS	1

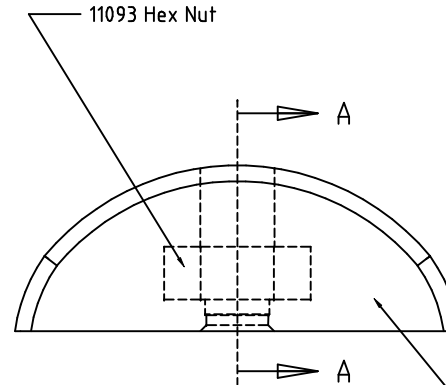
ⓑ



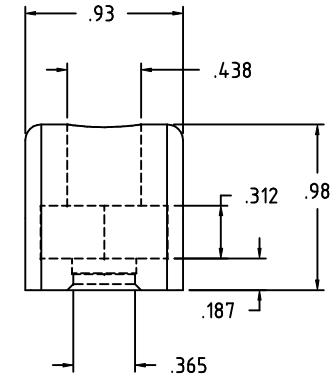
P.N. 12602
3/8-16X4" TYPE 304 SS BOLT



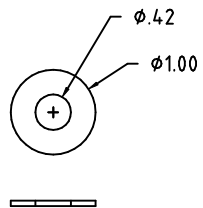
SECTION A-A



11093 Hex Nut



12449-ZNB
Ⓐ



P.N. 11094
3/8 TYPE 304 SS FLAT WASHER



DRAWN / DATE

GWC 2-5-07

MATERIAL

33% GLASS FILLED NYLON BLACK
REFERENCE MATERIAL DATA SHEET
FOR SPECIFIC PROPERTIES.



INJECTION MOLDING

A DIVISION OF DEN HARTOG INDUSTRIES, INC.
4010 HOSPERS DRIVE S., BOX 425, HOSPERS, IOWA 51238-0425

REV	DESCRIPTION	DATE	APPRD
B	BOLT AND WASHER GIVEN SEPARATE P.N.'S	11/17/08	ADH
A	ADD PART NUMBER CCN 1348	6/7/07	GWC

APPRD. / DATE

REH/4/6/07

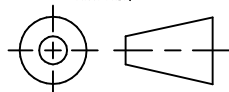
CLIENT / DESCRIPTION

ANCHOR RITE - ZINC PLATED HEX NUT

ALL DIMENSIONS ARE IN DECIMAL INCHES
TOLERANCES UNLESS OTHERWISE SPECIFIED

.XXX +/- .006
.XX +/- .030

THIRD ANGLE PROJECTION
ANSI 14.5M



NOTES:

WEIGHT 21.5 LBS PER 100 PC.

SCALE

N.S.

PART NO.

12449-Z