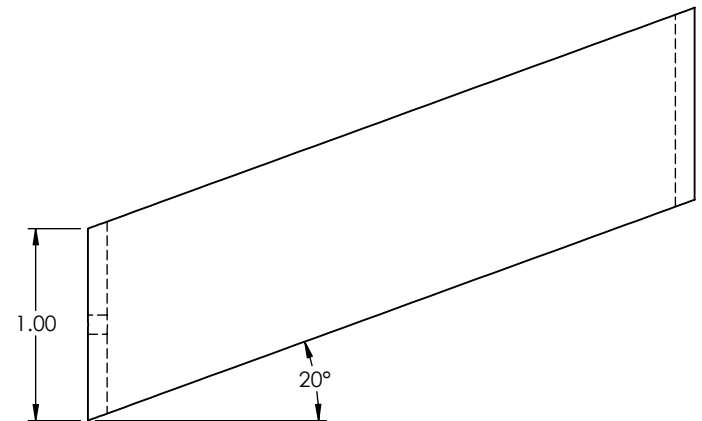
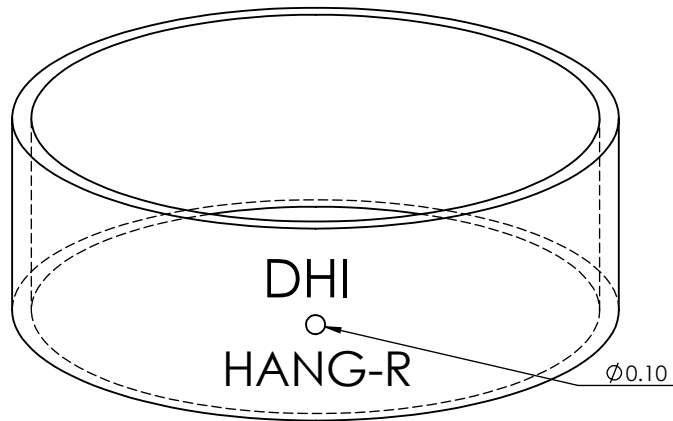
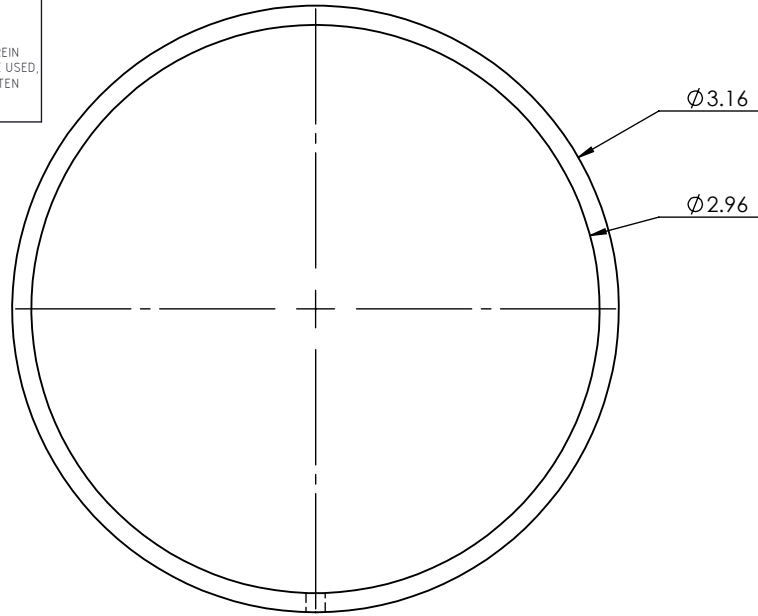


PROPRIETARY DATA


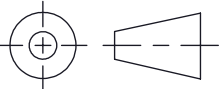
PROPERTY OF DEN HARTOG MFG., INC. INFORMATION FURNISHED HEREIN IS THE PROPERTY OF ACE ROTO-MOLD MFG., INC. AND SHALL NOT BE USED, DISCLOSED TO OTHERS, OR COPIED WITHOUT THE EXPRESSED WRITTEN CONSENT OF ACE ROTO-MOLD MFG., INC. ALL RIGHTS RESERVED.

12530

A



Note: 1/2 degree of draft allowable on inside & outside wall

				DRAWN / DATE ADH 2/13/08	MATERIAL  HDPE, Natural	 <p><b>Den Hartog</b> INDUSTRIES, INC.</p> <p>Ace Roto-Mold Injection Molding Blow Molding Sowjoy</p> <p>4010 HOSPERS DRIVE S. BOX 421, HOSPERS, IOWA 51238-0421</p>
				APPRD. / DATE MVE 2/13/08		
A	Material was Polypropylene	MVE 9/27/10	2089			DESCRIPTION HANG-R
REV	DESCRIPTION	BY / DATE	CCN			SCALE N.S.
ALL DIMENSIONS ARE IN DECIMAL INCHES TOLERANCES UNLESS OTHERWISE SPECIFIED DECIMAL ± .30"				THIRD ANGLE PROJECTION ANSI 14.5M 	NOTES:	PART NO. 12530