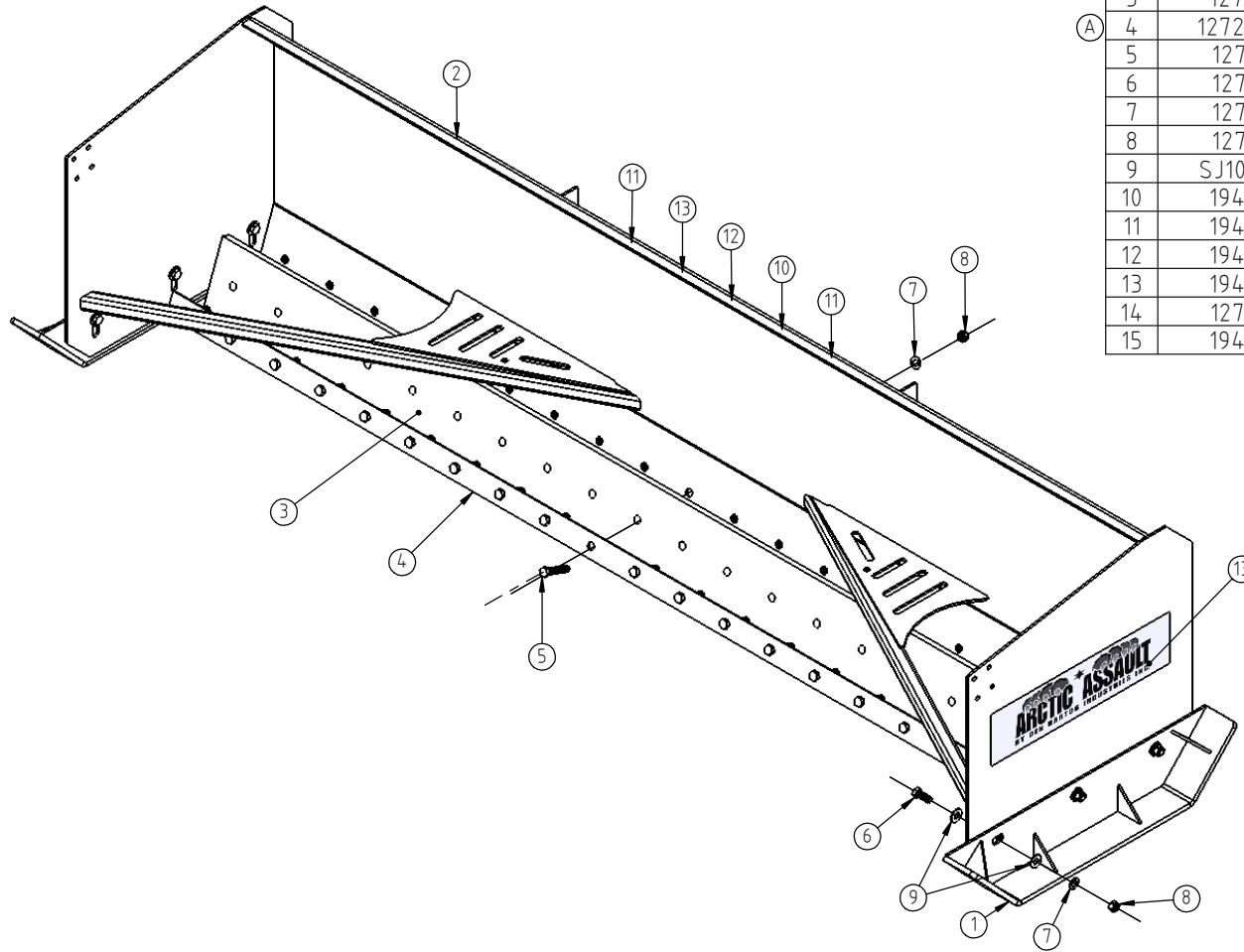


Copyright. All information furnished within this document, electronic file or design correspondence is the property of Den Hartog Industries, Inc. and shall not be used, disclosed to others or copied without the expressed written consent of Den Hartog Industries, Inc.

KEY	PART NUMBER	DESCRIPTION	QTY.
1	12712	SNOW PUSHER - SKI ASSEMBLY	2
2	12723	SNOW PUSHER- MAIN FRAME	1
3	12724	SNOW PUSHER- RUBBER BLADE	1
A 4	12723-3	RUBBER BLADE SUPPORT	1
5	12716	BOLT, 5/8" X 3" HEX CAP GR 5	20
6	12717	BOLT, 5/8" X 2" HEX CAP	6
7	12718	WASHER, 5/8" SPLIT LOCK ZINC	26
8	12719	NUT, 5/8" HEX ZINC	26
9	SJ10001	WASHER, 5/8" FLAT ZINC	12
10	19476	CLEAR AREA WARNING LABEL	1
11	19477	PINCH POINT DANGER LABEL	2
12	19478	SNOW REMOVAL WARNING LABEL	1
13	19479	SAFETY MANUAL WARNING LABEL	1
14	12725	GRAPHIC, ARTIC ASSULT	2
15	19480	OPERATIONS MANUAL (NOT SHOWN)	1



C	TORQUE RATING ADDED	ADH 12/20/13	2762	DRAWN / DATE	MATERIAL
B	12723-3 WAS 12744-3	ADH 10/30/12	2512	ADH 10/23/09	
A	12723-3 ADDED TO PRINT, 13487 SHOWN ON THE PRINT	ADH 10/14/11	2308	APPRD. / DATE	
REV	DESCRIPTION	BY / DATE	CCN	KGJ 11/5/09	
ALL DIMENSIONS ARE IN DECIMAL INCHES TOLERANCES UNLESS OTHERWISE SPECIFIED		THIRD ANGLE PROJECTION ANSI 14.5M		SHOT WEIGHT:	NOTES: C
POLYETHYLENE		METAL DECIMAL ± .125" FRACTION ± 1/4" ANGLE ± 1°		SHIPPING WEIGHT: 640.00 LBS	1.) TORQUE ALL 5/8" BOLTS TO 150 FT-LBS
±1% @ 68°F				FINISH:	



Den Hartog
INDUSTRIES, INC.

Ace Roto-Mold Injection Molding Blow Molding Sowjoy

4010 HOSPERS DRIVE S. BOX 425, HOSPERS, IOWA 51238-0425

DESCRIPTION	SNOW PUSHER-10 FT BLADE	
SCALE	N.S.	PART NO. 12722