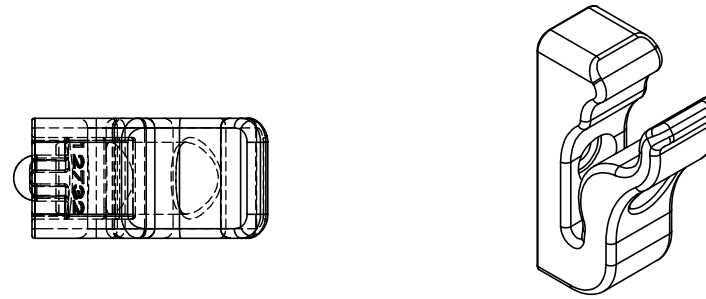
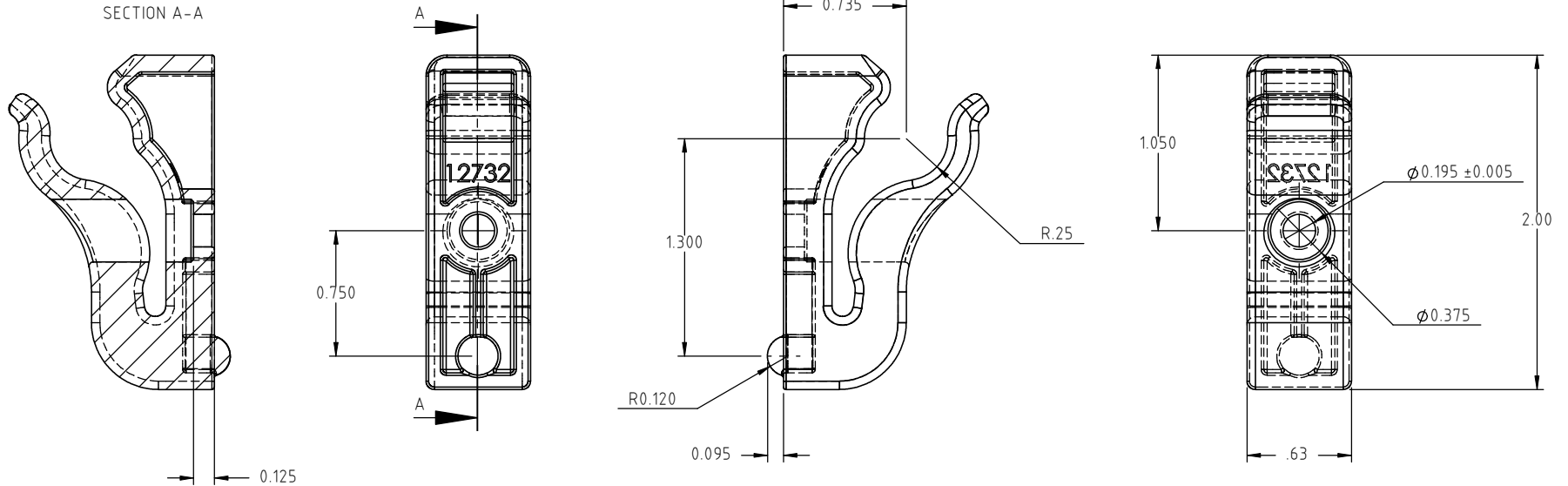



Copyright. All information furnished within this document, electronic file or design correspondence is the property of Den Hartog industries, Inc. and shall not be used, disclosed to others or copied without the expressed written consent of Den Hartog Industries, Inc.



SECTION A-A



				DRAWN / DATE MVE 11/24/09	MATERIAL Supertough Nylon, Black
				APPRO. / DATE REH 11/25/09	
REV	DESCRIPTION	BY / DATE	CCN		
ALL DIMENSIONS ARE IN DECIMAL INCHES TOLERANCES UNLESS OTHERWISE SPECIFIED		THIRD ANGLE PROJECTION ANSI 14.5M		PART WEIGHT: 10.5 grams	NOTES:
Tolerance UQS .xxx ± .007" .xx ± .015" ANGLE ± 1°				SHIPPING WEIGHT:	
				FINISH: EDM	



Den Hartog

INDUSTRIES, INC.

Acra Roto-Mold Injection Molding Blow Molding Bowjoy

4010 HOSPERS DRIVE S. BOX 425, HOSPERS, IOWA 51238-0425

DESCRIPTION Accessories Clip, 1/2 inch	
SCALE N.S.	PART NO. 12732