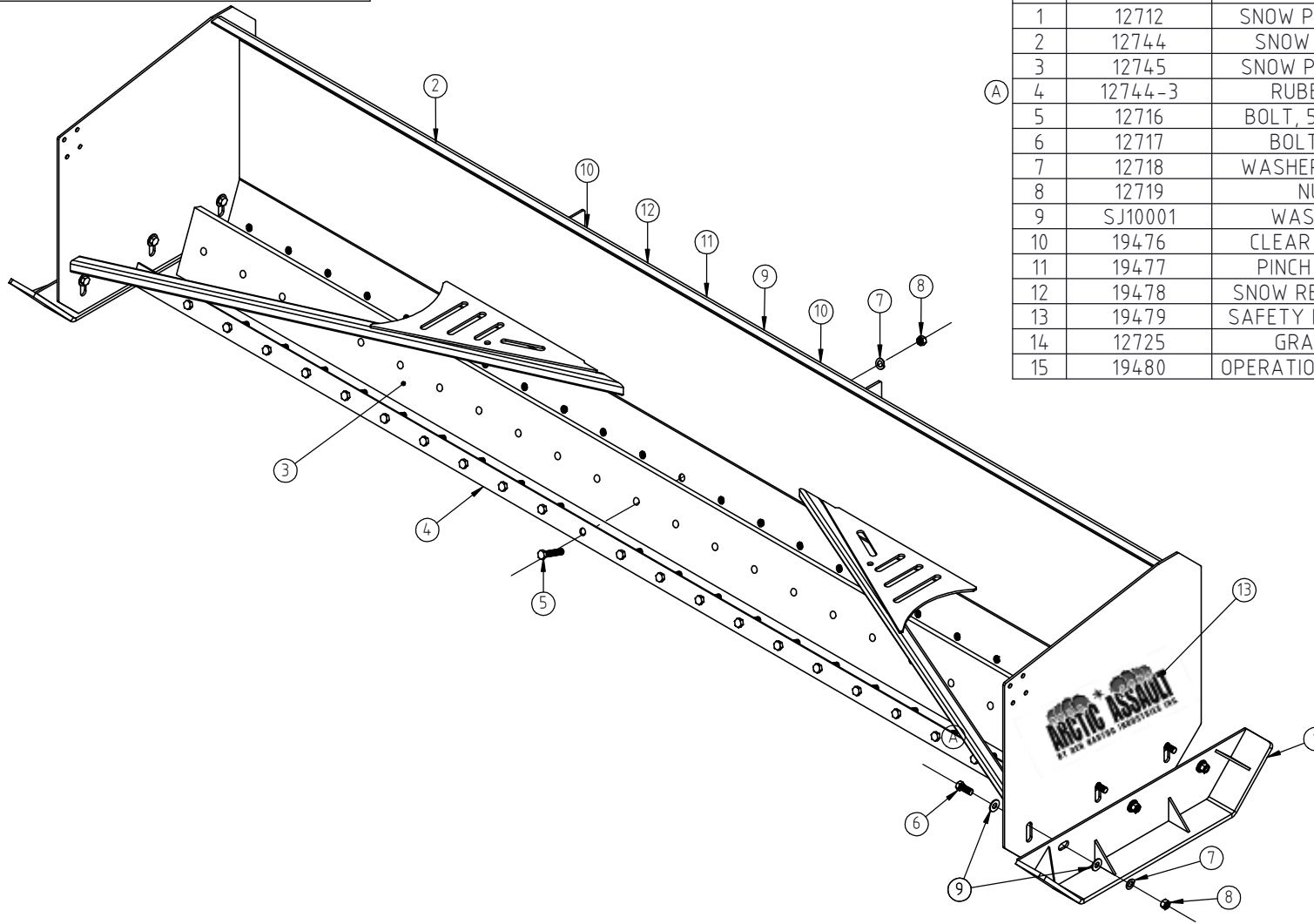



Copyright. All information furnished within this document, electronic file or design correspondence is the property of Den Hartog industries, Inc. and shall not be used, disclosed to others or copied without the expressed written consent of Den Hartog Industries, Inc.

KEY	PART NUMBER	DESCRIPTION	QTY.
1	12712	SNOW PUSHER - SKI ASSEMBLY	2
2	12744	SNOW PUSHER- MAIN FRAME	1
3	12745	SNOW PUSHER- RUBBER BLADE	1
(A) 4	12744-3	RUBBER BLADE SUPPORT	1
5	12716	BOLT, 5/8" X 3" HEX CAP GR 5	24
6	12717	BOLT, 5/8" X 2" HEX CAP	6
7	12718	WASHER, 5/8" SPLIT LOCK ZINC	30
8	12719	NUT, 5/8" HEX ZINC	30
9	SJ10001	WASHER, 5/8" FLAT ZINC	12
10	19476	CLEAR AREA WARNING LABEL	1
11	19477	PINCH POINT DANGER LABEL	2
12	19478	SNOW REMOVAL WARNING LABEL	1
13	19479	SAFETY MANUAL WARNING LABEL	1
14	12725	GRAPHIC, ARTIC ASSULT	2
15	19480	OPERATIONS MANUAL (NOT SHOWN)	1



				DRAWN / DATE ADH 11/23/09	MATERIAL
A	12744-3 ADDED TO PRINT, 13487 SHOWN ON THE PRINT	ADH 10/14/11	2308	APPRD. / DATE KGJ 11/24/09	
REV	DESCRIPTION	BY / DATE	CCN		
ALL DIMENSIONS ARE IN DECIMAL INCHES TOLERANCES UNLESS OTHERWISE SPECIFIED		THIRD ANGLE PROJECTION ANSI 14.5M		SHOT WEIGHT:	NOTES:
POLYETHYLENE		METAL DECIMAL ± .125" FRACTION ± 1/4" ANGLE ± 1°		SHIPPING WEIGHT: 720.00 LBS	
±1% @ 68° F				FINISH:	



Den Hartog

INDUSTRIES, INC.

Ace Roto-Mold Injection Molding Blow Molding Blowjey

4010 HOSPERS DRIVE S. BOX 425, HOSPERS, IOWA 51238-0425

DESCRIPTION SNOW PUSHER-12 FT BLADE	
SCALE N.S.	PART NO. 12743