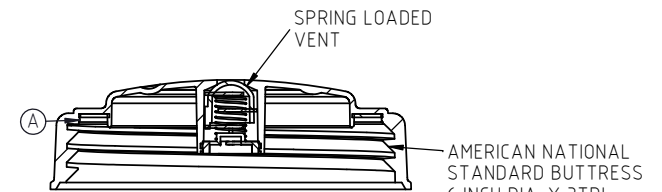
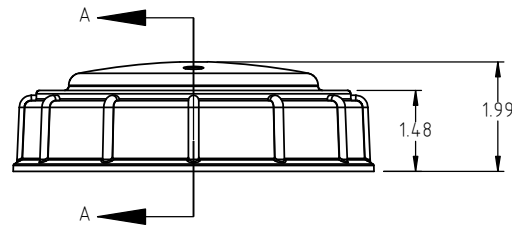
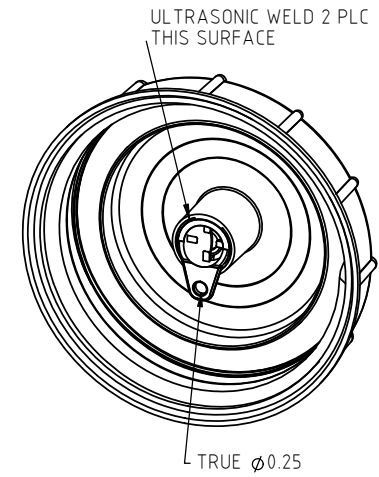
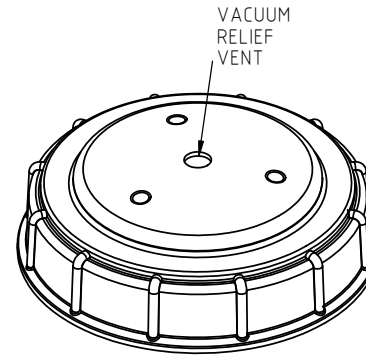
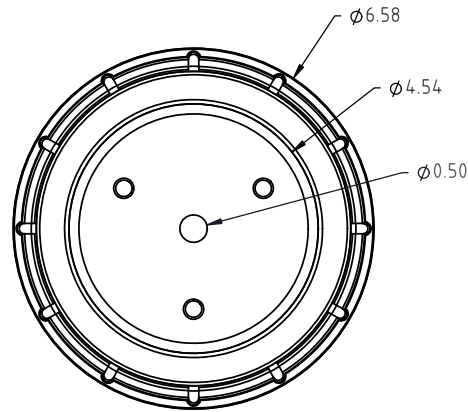
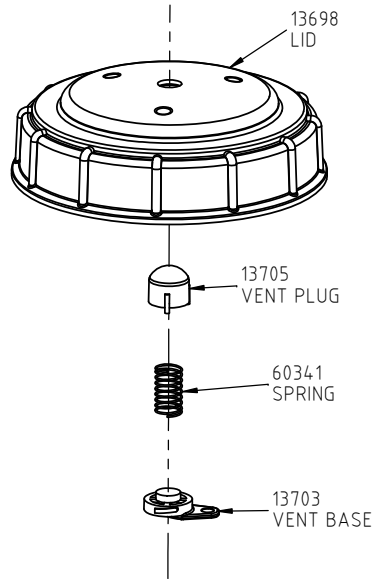


Copyright. All information furnished within this document, electronic file or design correspondence is the property of Den Hartog Industries, Inc. and shall not be used, disclosed to others or copied without the expressed written consent of Den Hartog Industries, Inc.



SECTION A-A
SCALE 1: 3.5

		DRAWN / DATE ADH 7/26/2012		MATERIAL :	
A	RETAINING BEAD ADDED. DESCRIPTION UPDATED.	ADH	4/8/2024	4581	APPRD. / DATE MVE 9/18/2012
REV.	DESCRIPTION	BY	DATE	CCN	
NOTE: ALL DIMENSIONS ARE IN DECIMAL INCHES TOLERANCES UNLESS OTHERWISE SPECIFIED		THIRD ANGLE PROJECTION ANSI 14.5M		SHOT WEIGHT:	
TOLERANCE:		SHIPPING WEIGHT: 130 g.		NOTES: 1.) BLACK COLOR	
		FINISH:			



**Den Hartog
INDUSTRIES, INC.**

Ace Roto-Mold • Injection Molding • Blow Molding • Sowjoy
4010 HOSPERS DRIVE S. BOX 425, HOSPERS, IOWA 51238-0425

DESCRIPTION A LID, 5" VENTED W/SPRING, BLACK DHI	
SCALE N.S.	PART NO. 13696
SHEET. 1 OF 1	