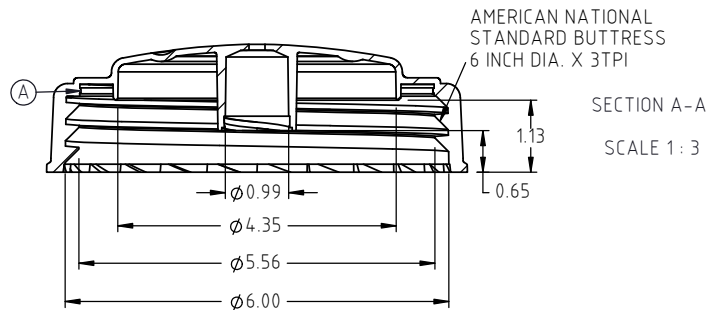
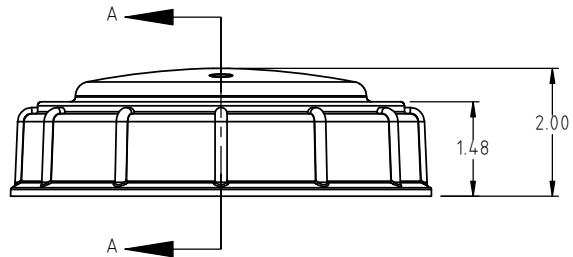
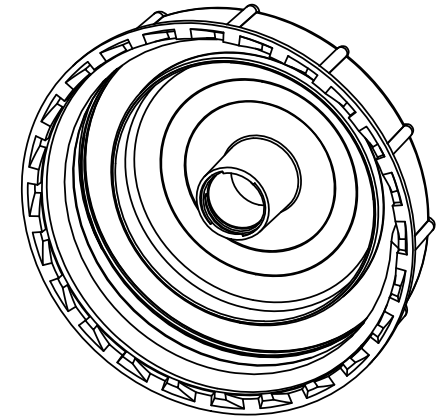
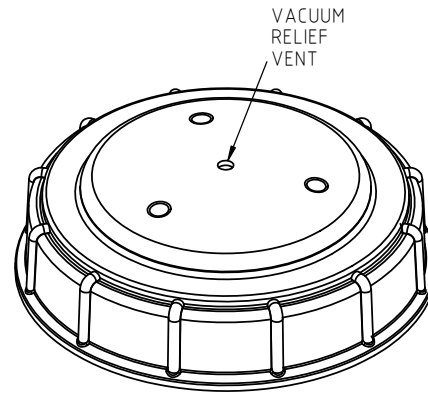
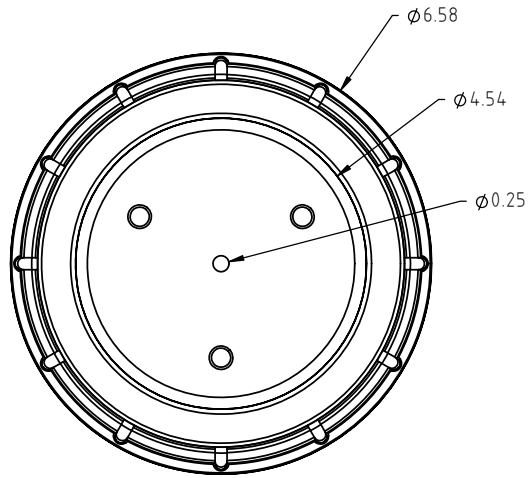

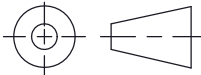


Copyright. All information furnished within this document, electronic file or design correspondence is the property of Den Hartog Industries, Inc. and shall not be used, disclosed to others or copied without the expressed written consent of Den Hartog Industries, Inc.



DRAWN / DATE ADH 7/26/2012			MATERIAL: IMPACT MODIFIED POLYPROPYLENE			 <p>Den Hartog INDUSTRIES, INC. Ace Roto-Mold • Injection Molding • Blow Molding • Sowjoy 4010 HOSPERS DRIVE S. BOX 425, HOSPERS, IOWA 51238-0425</p>
APPROD. / DATE MVE 9/18/2012			NOTES: 1.) BLACK COLOR			
A	AINING BEAD ADDED. DESCRIPTION UPDATED.	ADH	4/8/2024	4581	DESCRIPTION LID, 5" W/.25" HOLE, BLACK DHI	
REV.	DESCRIPTION	BY	DATE	CCN	SCALE	SHEET
ALL DIMENSIONS ARE IN DECIMAL INCHES TOLERANCES UNLESS OTHERWISE SPECIFIED		THIRD ANGLE PROJECTION ANSI 14.5M		SHOT WEIGHT:		PART NO. 13697
NOTE:		TOLERANCE: .XX +/- .04		SHIPPING WEIGHT: 127 g.		
				FINISH: MT-11050		1 OF 1