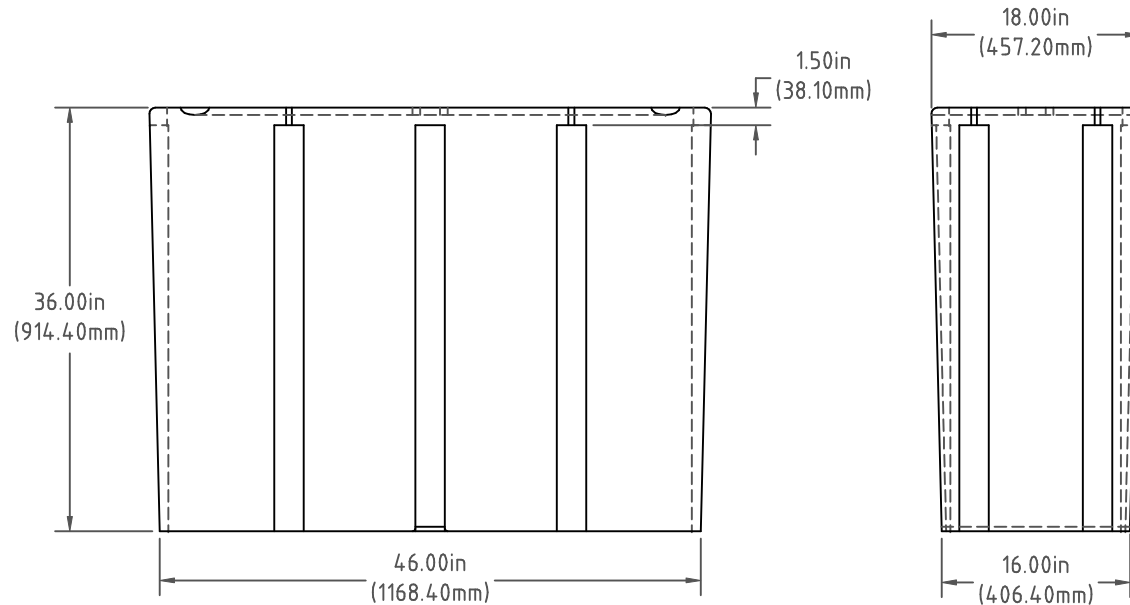
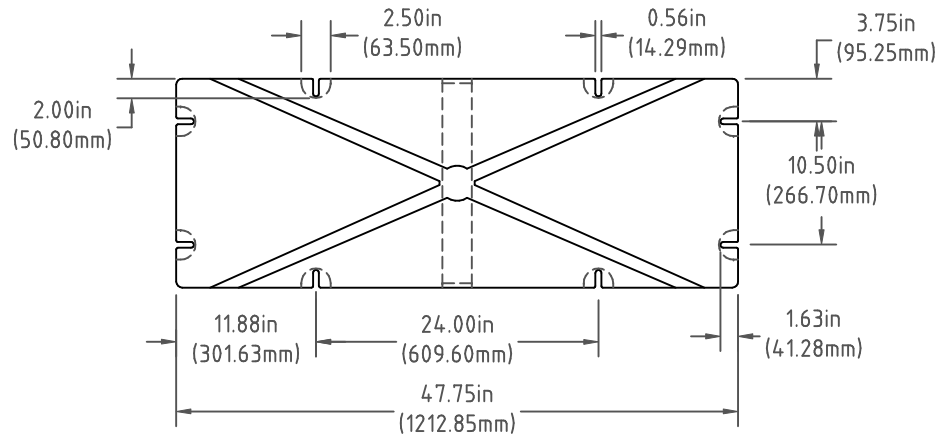


© DEN HARTOG INDUSTRIES, INC.

Copyright. All information furnished within this document, electronic file or design correspondence is the property of Den Hartog Industries, Inc. and shall not be used, disclosed to others or copied without the expressed written consent of Den Hartog Industries, Inc.



A
NOTE: BUOYANCY 920 LBS.(417.30 KG.)

C	METRIC DIMENSIONS ADDED CCN 1685	6/24/08	ADH	DRAWN / DATE	MATERIAL / SHOT WEIGHT	<h1>ACE ROTO-MOLD</h1> <p>HIGHWAY 60 SOUTH, HOSPERS, IOWA</p>	
B	CHANGE WEIGHTS	11-29-06	GWC	DHJ/7/6/05			
A	ADD BUOYANCY	11-29-06	GWC	APPRD. / DATE	CLIENT / DESCRIPTION		
REV	DESCRIPTION	DATE	APPRD	ADH 11/2/07		18 x 48 x 36 FLOAT DRUM	
ALL DIMENSIONS ARE IN DECIMAL INCHES TOLERANCES UNLESS OTHERWISE SPECIFIED ±1% @ 68F° (20C°)				THIRD ANGLE PROJECTION ANSI 14.5M 	NOTES: 1.) AF 36 LBS.(16.33 KG.) 2.) FF 53 LBS.(24.04KG.) 3.) 0.175in (4.45mm) NOM. WALL	SCALE N.S.	PART NO. 1848-36