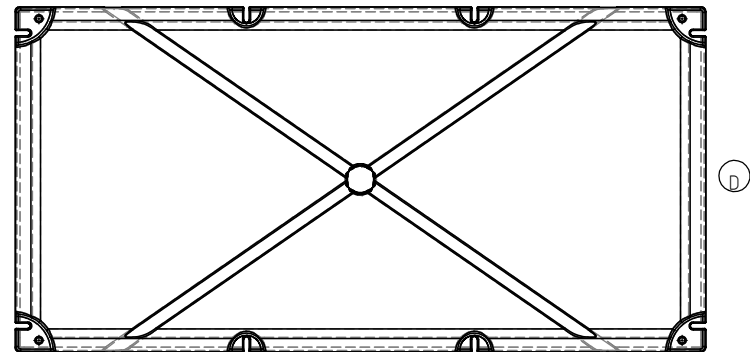
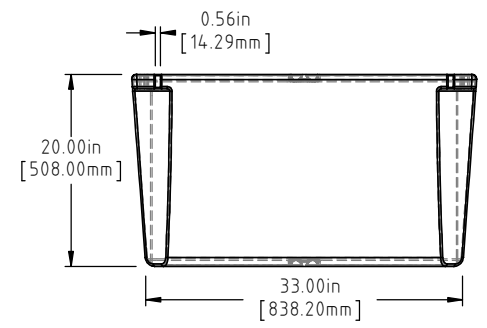
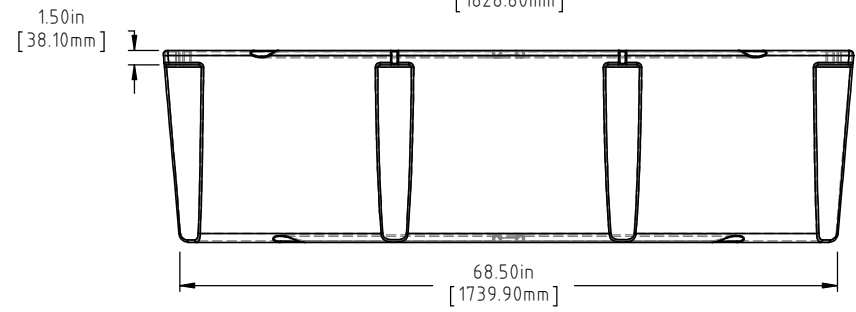
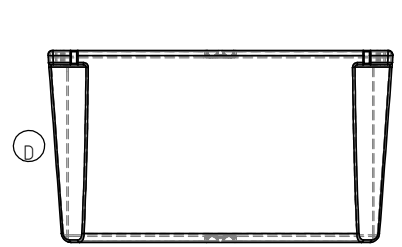
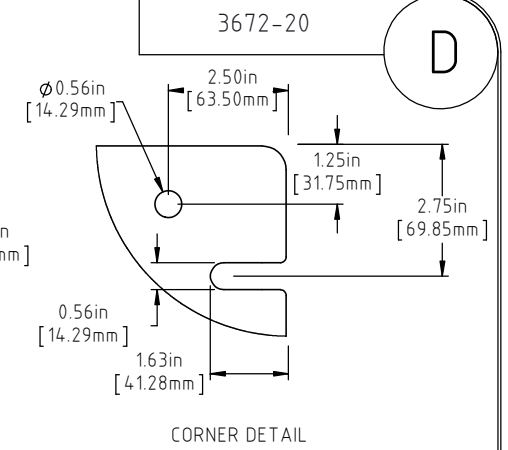
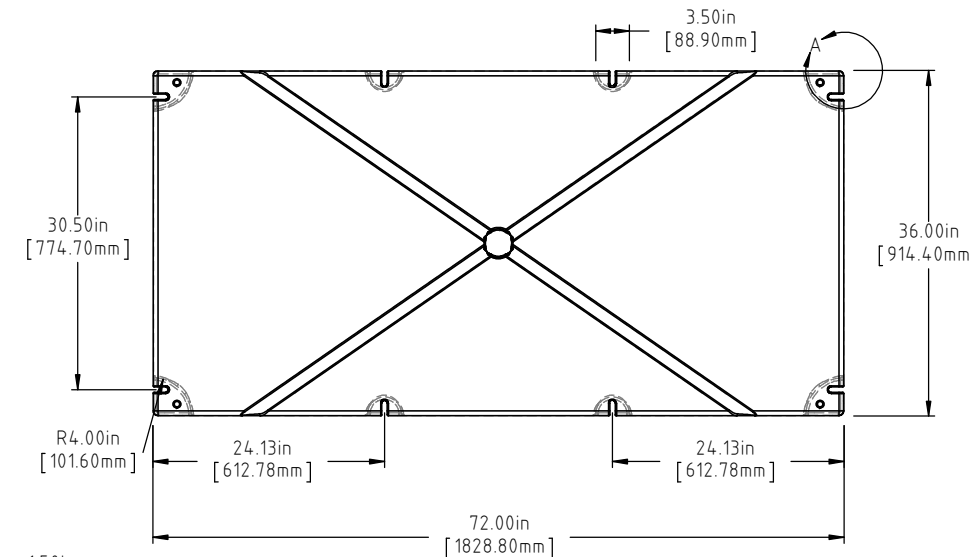


© DEN HARTOG INDUSTRIES, INC.

Copyright. All information furnished within this document, electronic file or design correspondence is the property of Den Hartog industries, Inc. and shall not be used, disclosed to others or copied without the expressed written consent of Den Hartog Industries, Inc.

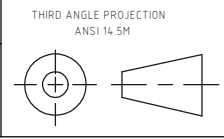


NOTE: BUOYANCY 1638.00 LBS.(742.98 KG.)

D	BOTTOM AND SIDE VIEWS ADDED TO PRINT	ADH 11/13/14	2959
C	87 LBS WAS 86 LBS	ADH 6/22/12	2420
B	METRIC DIMENSIONS ADDED	ADH 6/17/08	1685
A	ADD BUOYANCY NOTE	GWC 1/9/07	
A	CHANGE WEIGHT AF WAS 54 FF WAS 92	GWC 1/9/07	
2	CHANGE WEIGHTS	11/17/94	
1	NEW DIM	5/19/94	
REV	DESCRIPTION	BY / DATE	CCN


DRAWN / DATE DEAN 4/20/94	MATERIAL POLYETHYLENE
APPRD. / DATE ADH 11/5/07	

ALL DIMENSIONS ARE IN DECIMAL INCHES
TOLERANCES UNLESS OTHERWISE SPECIFIED
POLYETHYLENE
±1% @ 68°F



SHOT WEIGHT: 58 LBS.(26.31 KG.)
SHIPPING WEIGHT: SEE NOTES
FINISH:

NOTES: (A) (C)
1.) AF 58 LBS.(26.31 KG.)
2.) FF 87 LBS.(39.46 KG.)
3.) 0.150in (3.81mm) NOM. WALL



Den Hartog
INDUSTRIES, INC.
Ace Roto-Mold Injection Molding Blow Molding Sowjoy
4010 HOSPERS DRIVE S. BOX 425, HOSPERS, IOWA 51238-0425

DESCRIPTION	36 X 72 X 20 FLOAT	
SCALE	N.S.	PART NO. 3672-20