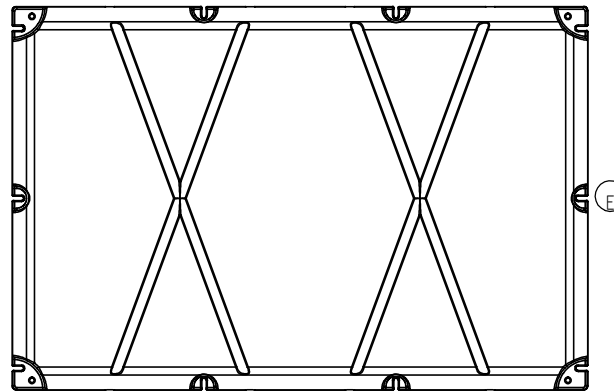
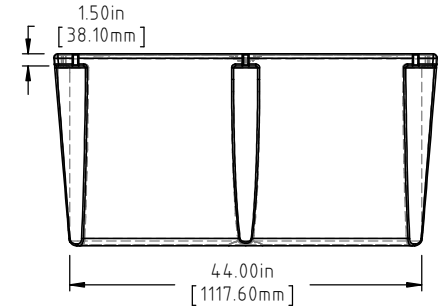
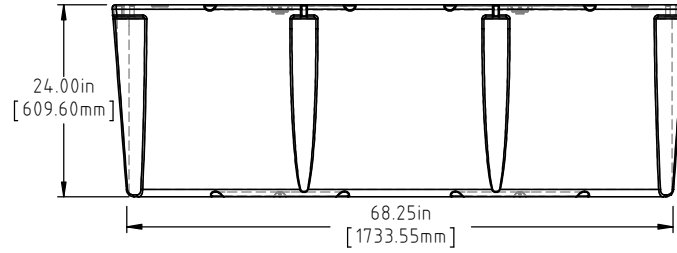
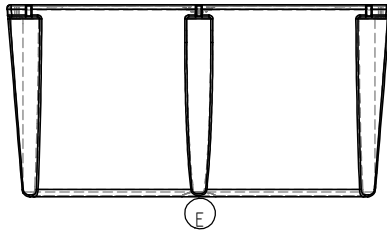
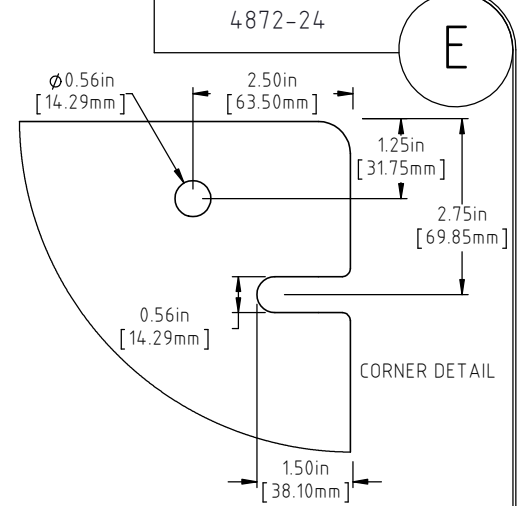
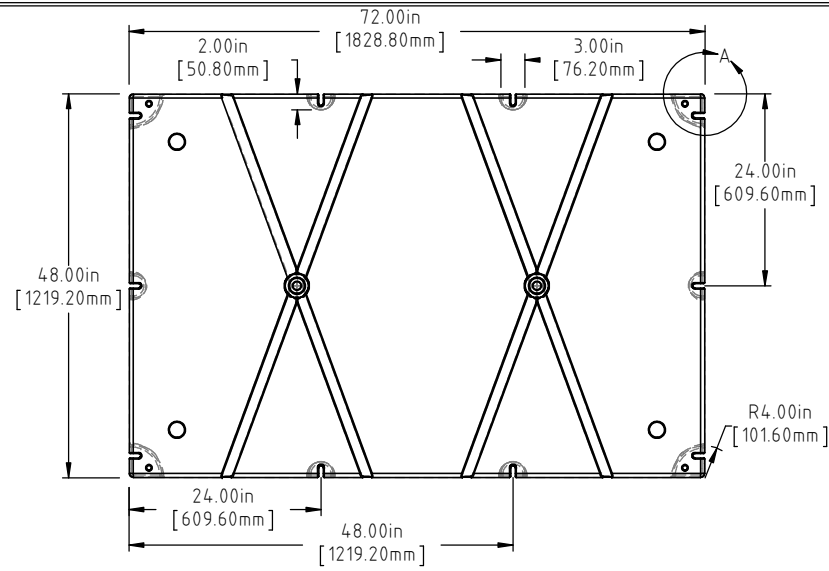



© DEN HARTOG INDUSTRIES, INC.

Copyright. All information furnished within this document, electronic file or design correspondence is the property of Den Hartog industries, Inc. and shall not be used, disclosed to others or copied without the expressed written consent of Den Hartog Industries, Inc.



E	BOTTOM/SIDE VIEWS ADDED TO PRINT.	ADH 12/4/14	2971
D	123 LBS WAS 118 LBS, 2701 LBS WAS 2660 LBS	ADH 6/25/12	2420
C	METRIC DIMENSIONS ADDED	ADH 6/20/08	1685
B	ADD BUOYANCY NOTE	GWC 1/11/07	
A	CHANGE FF WEIGHT WAS 132	12/27/05	
REV	DESCRIPTION	BY / DATE	CCN

DRAWN / DATE BOB 3/10/98	MATERIAL POLYETHYLENE
APPRD. / DATE ADH 11/6/07	
SHOT WEIGHT: 74 LBS. (33.57 KG.)	NOTES: (A) (D) 1.) AF 74 LBS. (33.57 KG.) 2.) FF 123 LBS. (55.79 KG.) 3.) 0.150 IN (3.81 mm) NOM. WALL
SHIPPING WEIGHT: SEE NOTES	
FINISH:	



**Den Hartog**  
INDUSTRIES, INC.

Ace Roto-Mold Injection Molding Blow Molding Sowjoy

4010 HOSPERS DRIVE S. BOX 425, HOSPERS, IOWA 51238-0425

DESCRIPTION	48 X 72 X 24 FLOAT
SCALE	N.S.
PART NO.	4872-24

(B) (D)  
NOTE: BUOYANCY IS 2701 LBS. (1225.15 KG)

ALL DIMENSIONS ARE IN DECIMAL INCHES  
TOLERANCES UNLESS OTHERWISE SPECIFIED

POLYETHYLENE	METAL DECIMAL ± .125" FRACTION ± 1/4" ANGLE ± 1°
±1% @ 68°F	

