

© DEN HARTOG INDUSTRIES, INC.

Copyright. All information furnished within this document, electronic file or design correspondence is the property of Den Hartog industries, Inc. and shall not be used, disclosed to others or copied without the expressed written consent of Den Hartog Industries, Inc.

CAUTION LABEL 19463

CAUTION

DO NOT OVER TIGHTEN BOLTS

SNUG UP ALL BOLTS THEN EVENLY TORQUE EACH BOLT TO 10 FT. LB.

FAILURE TO HEED MAY RESULT IN BOLT FAILURE AND TANK LEAKAGE

CAUTION LABEL 19471

CAUTION

28" MAXIMUM BURIAL DEPTH TO HERE

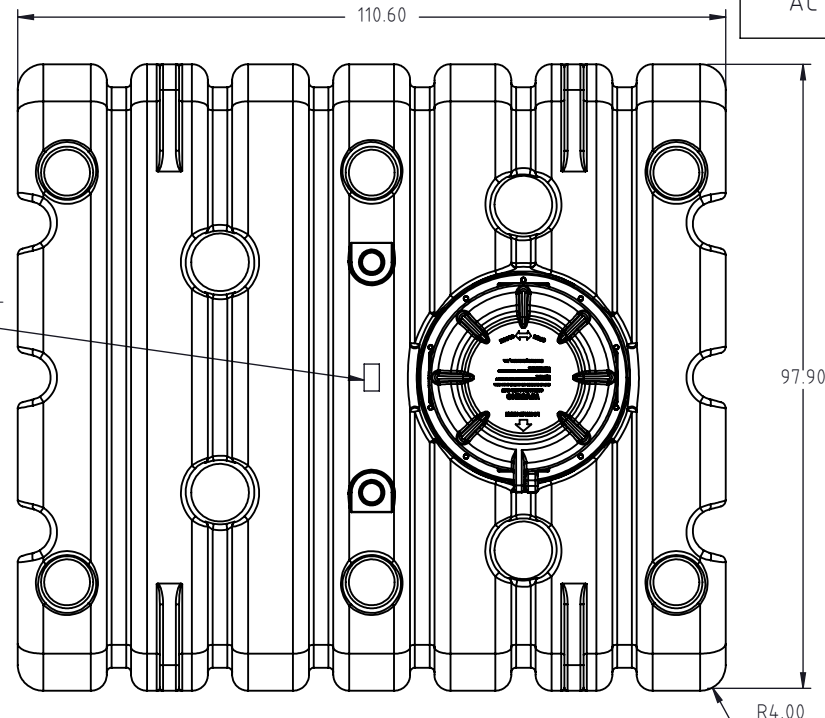
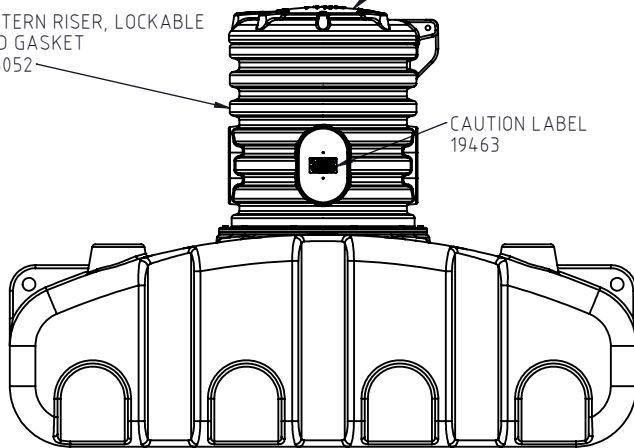
FAILURE TO HEED MAY RESULT IN TANK FAILURE

19471

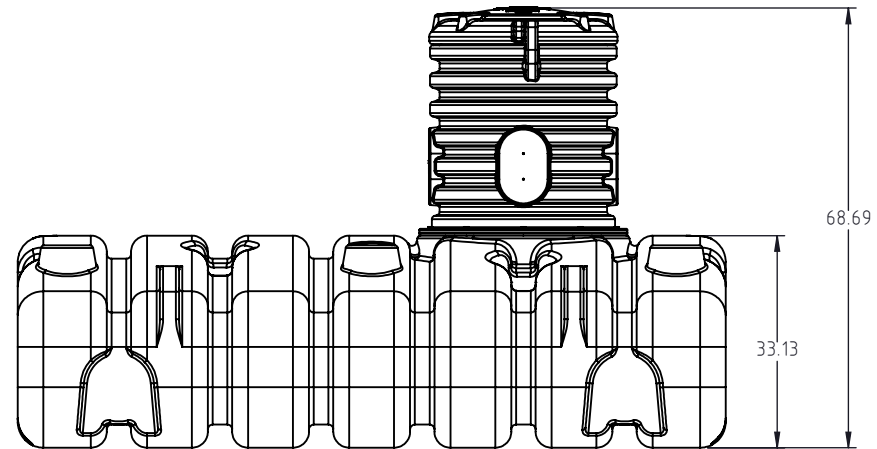
28" CISTERN RISER, LOCKABLE LID AND GASKET ACT-16052

SEE PRINT 19481 FOR LID INSTALLATION GUIDELINES


CAUTION LABEL 19463



ACT1000-LPG



REV	DESCRIPTION	BY / DATE	CCN	DRAWN / DATE ADH 4/8/10	MATERIAL
				APPRD. / DATE REH 4/14/10	
	ALL DIMENSIONS ARE IN DECIMAL INCHES TOLERANCES UNLESS OTHERWISE SPECIFIED	THIRD ANGLE PROJECTION ANSI 14.5M		SHOT WEIGHT:	NOTES:
	POLYETHYLENE			SHIPPING WEIGHT: 595.00 LBS	
	±1% @ 68° F			FINISH:	



Den Hartog

INDUSTRIES, INC.

Ace Roto-Mold Injection Molding Blow Molding Sowjoy

4010 HOSPERS DRIVE S. BOX 425, HOSPERS, IOWA 51238-0425

DESCRIPTION 1000 GALLON LOW PROFILE CISTERN WITH GROUND ACCESS ASSEMBLY	
SCALE N.S.	PART NO. ACT1000-LPG