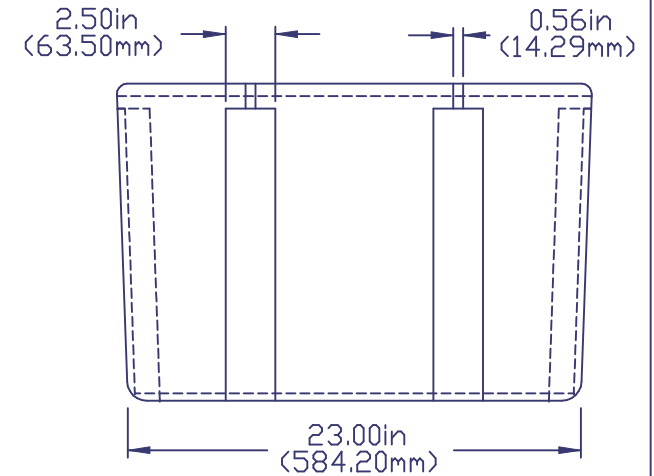
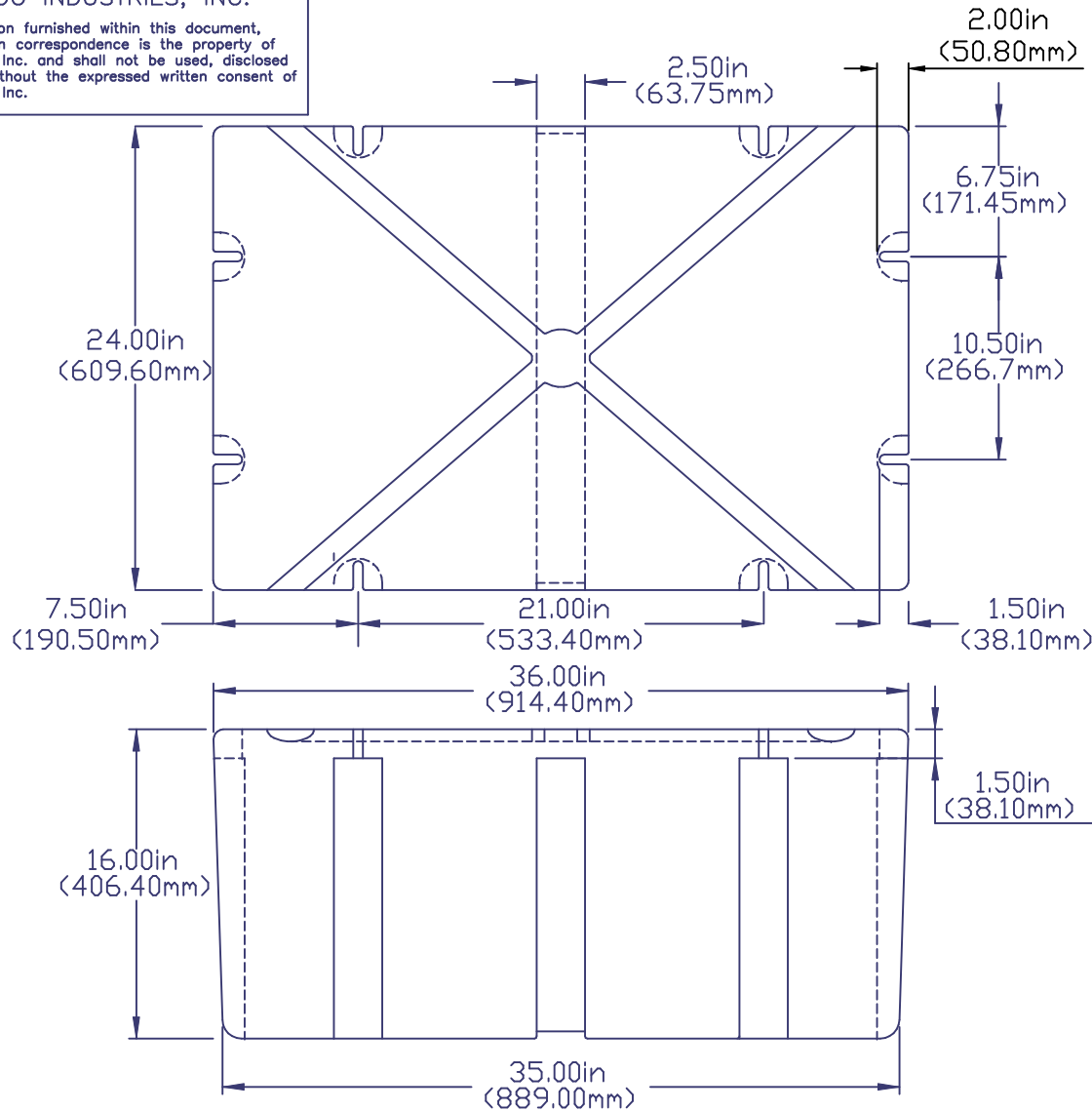


© DEN HARTOG INDUSTRIES, INC.

Copyright. All information furnished within this document, electronic file or design correspondence is the property of Den Hartog Industries, Inc. and shall not be used, disclosed to others or copied without the expressed written consent of Den Hartog Industries, Inc.

DWG NO. 2436-16

SH REV B



NOTE: BUDYANCY IS 424 LBS.(192.32 KG.)

REV	DESCRIPTION	DATE	APVD
B	METRIC DIMENSIONS ADDED CCN 1685	6-12-08	ADH
A	ADDED BUDYANCY	1-3-07	GWC
A	CHANGE WEIGHTS FF WAS 32	1-3-07	GWC
1	CHANGE WEIGHTS	11-16-94	

DRAWN	DEAN	DATE	10-15-93	MATERIAL	POLYETHYLENE
APPROVED	ADH	DATE	11-5-07		0.150in (3.81mm) NOM.
SCALE			NONE	PART WEIGHT	
UDS DIMENSIONS ARE IN INCHES			AF 21 LBS.(9.53 KG.)		
GENERAL TOLERANCES			FF 29 LBS.(13.15 KG.)		
±1% @ 68F° (20C°)					

ACE ROTO-MOLD		WALL	
		PART NO.	2436-16
SIZE	A	DWG NO.	2436-16
		REV	B

