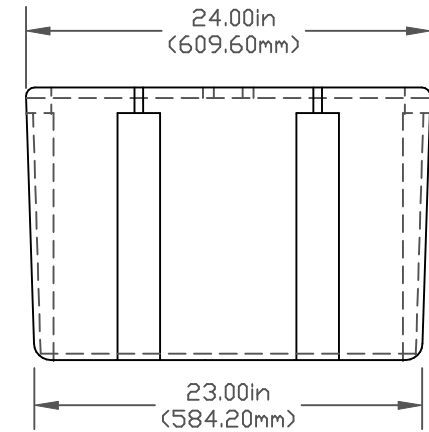
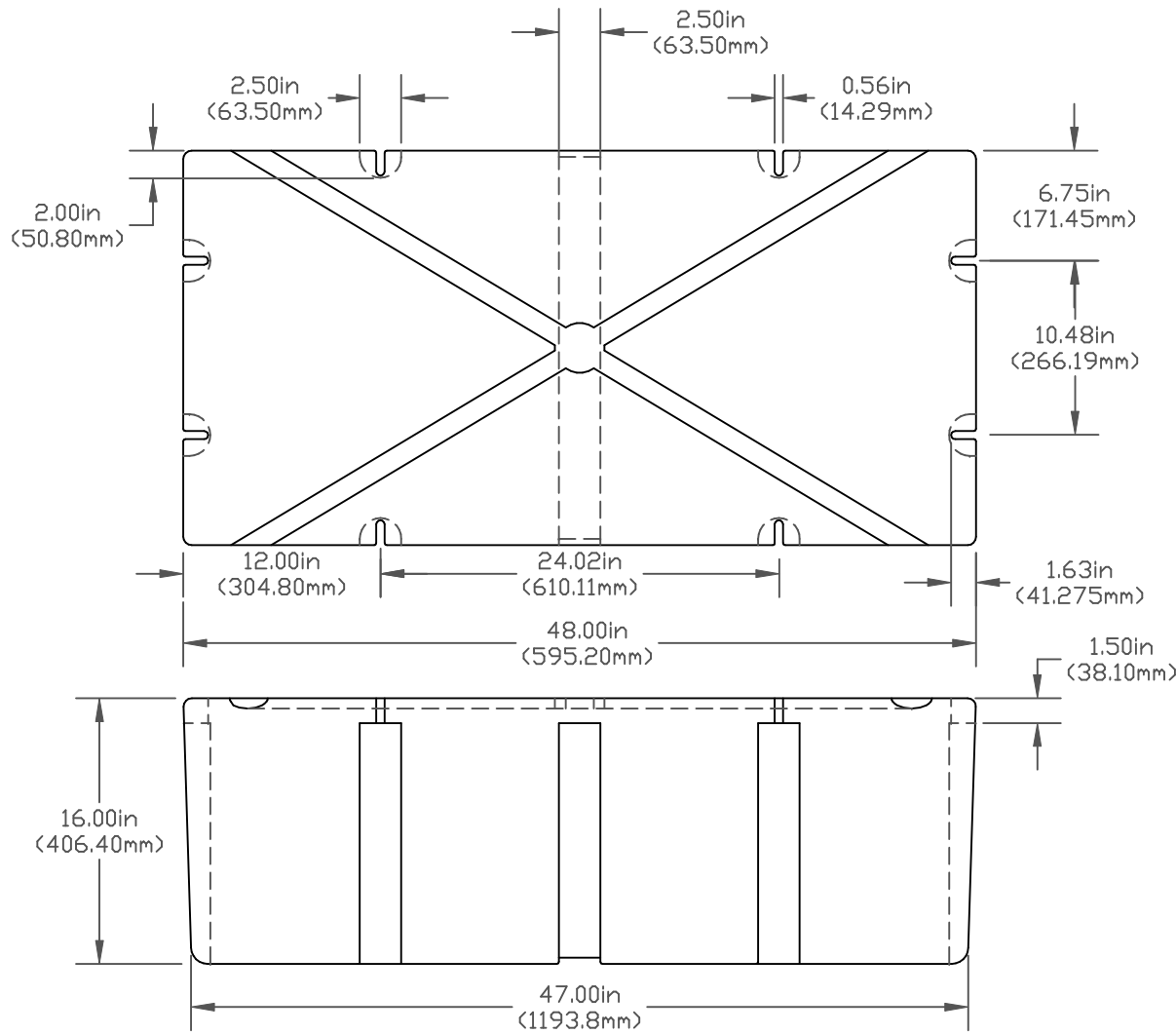


Copyright. All information furnished within this document, electronic file or design correspondence is the property of Den Hartog Industries, Inc. and shall not be used, disclosed to others or copied without the expressed written consent of Den Hartog Industries, Inc.



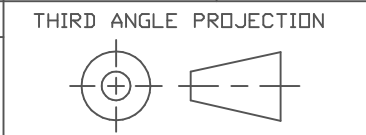
NOTE: BUOYANCY IS 585 LBS(265.35 KG.)

B	METRIC DIMENSIONS ADDED CCN 1685	6-12-08	ADH
A	ADD BUOYANCY NOTE	1-8-07	GWC
A	CHANGE WEIGHTS AF WAS 25 FF WAS 40	1-8-07	GWC
1	CHANGE WEIGHTS	11-16-94	APVD
REV	DESCRIPTION	DATE	APVD

DRAWN	DATE	MATERIAL
DEAN	10-12-93	POLYETHYLENE 0.150in(3.81mm) NOM. WALL
APPROVED	DATE	
ADH	11/5/07	

**ACE ROTO-MOLD**

SCALE NONE  
 UDS DIMENSIONS ARE IN INCHES  
 GENERAL TOLERANCES  
 ±1% @ 68F° (20C°)



PART WEIGHT <sup>Ⓐ</sup>  
 AF 27 LBS.(12.25 KG.)  
 FF 37 LBS.(16.78 KG.)

PART NO.	2448-16
SIZE	A
DWG NO.	2448-16
REV	B