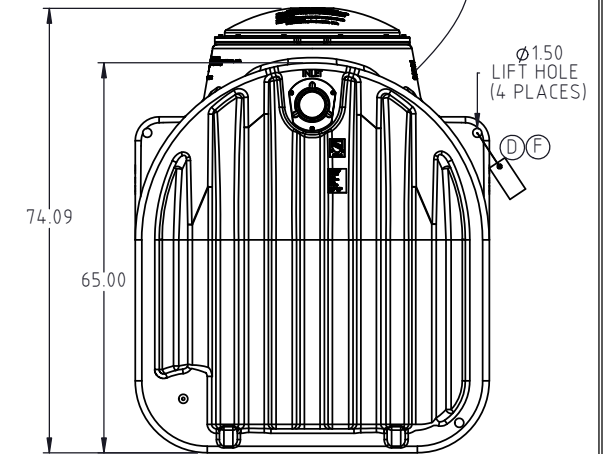
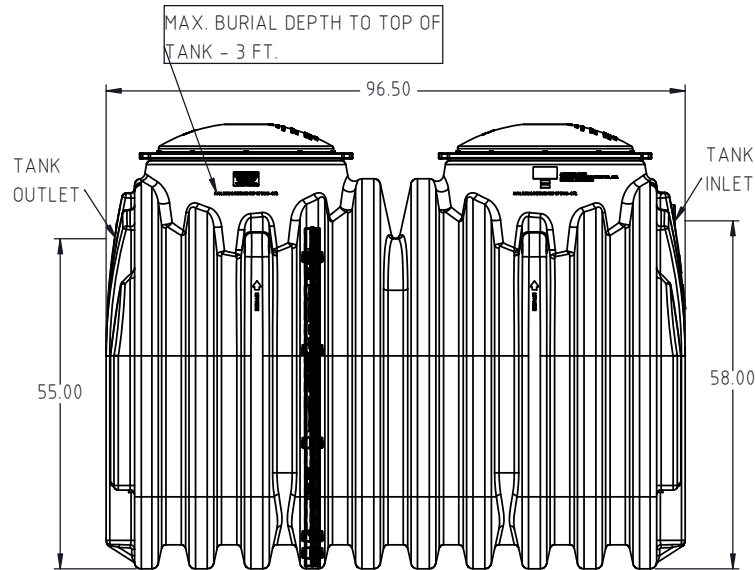
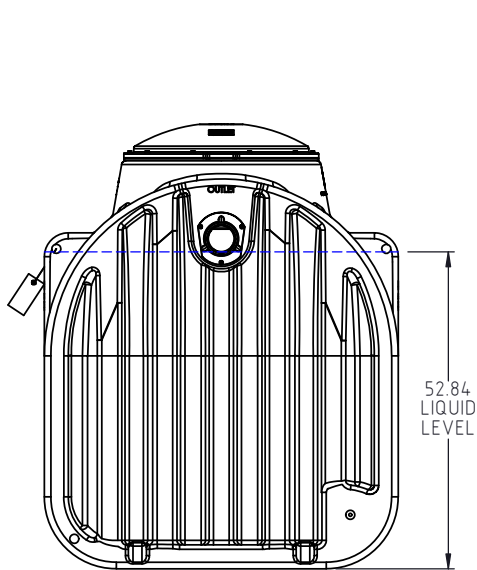
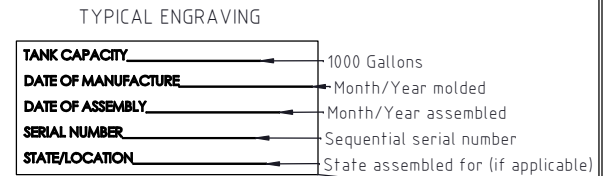
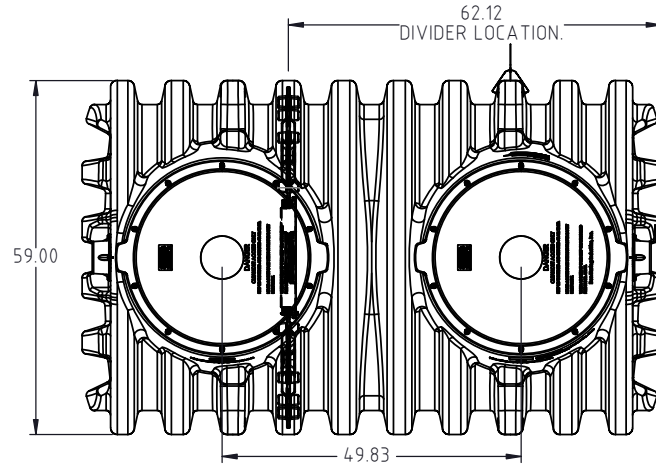
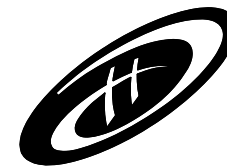


Copyright. All information furnished within this document, electronic file or design correspondence is the property of Den Hartog Industries, Inc. and shall not be used, disclosed to others or copied without the expressed written consent of Den Hartog Industries, Inc.

REFERENCE PUBLICATION 10039 FOR SEPTIC TANKS OR PUBLICATION 10149 FOR CISTERN TANKS FOR SPECIFIC INSTALLATION GUIDELINES.



| | | | | | | |
|---|--|--|------------|----------------------------------|-----------------------------------|-------------------------------|
| G | TANK/LID DESIGN/PRINT LAYOUT UPDATED. 490 WAS 438. 0.375 WAS 0.280. | ADH | 11/26/2024 | 4670 | DRAWN / DATE | MATERIAL : SEE COMPONENTS. |
| F | 11331 WAS 11194. | ADH | 5/7/2018 | 3553 | REH 11/1/1997 | |
| E | PRINT DIMENSIONS/LAYOUT UPDATED.NSF GRAPHIC REMOVED. | ADH | 2/28/2017 | 3354 | APPRD. / DATE | |
| REV. | DESCRIPTION | BY | DATE | CCN | REH 3/15/2004 | |
| ALL DIMENSIONS ARE IN DECIMAL INCHES TOLERANCES UNLESS OTHERWISE SPECIFIED | | THIRD ANGLE PROJECTION ANSI 14.5M | | SHOT WEIGHT: 490.00 LBS. | NOTES: (G) | |
| POLYETHYLENE | | METAL | | (G) SHIPPING WEIGHT: 586.00 LBS. | NOMINAL WALL THICKNESS: 0.375" | |
| ±1% @ 68°F | | DECIMAL ± .125" FRACTION ± 1/4" ANGLE ± 1° | | | | |



**Den Hartog
INDUSTRIES, INC.**

Ace Roto-Mold • Injection Molding • Blow Molding • Sowjoy
4010 HOSPERS DRIVE S. BOX 425, HOSPERS, IOWA 51238-0425

| | | |
|-------------|--|---------------------|
| DESCRIPTION | 1000 GAL. TWO COMPARTMENT SEPTIC TANK ASSEMBLY | |
| SCALE | N.S. | PART NO. AST-1000-2 |
| SHEET | | 1 OF 1 |