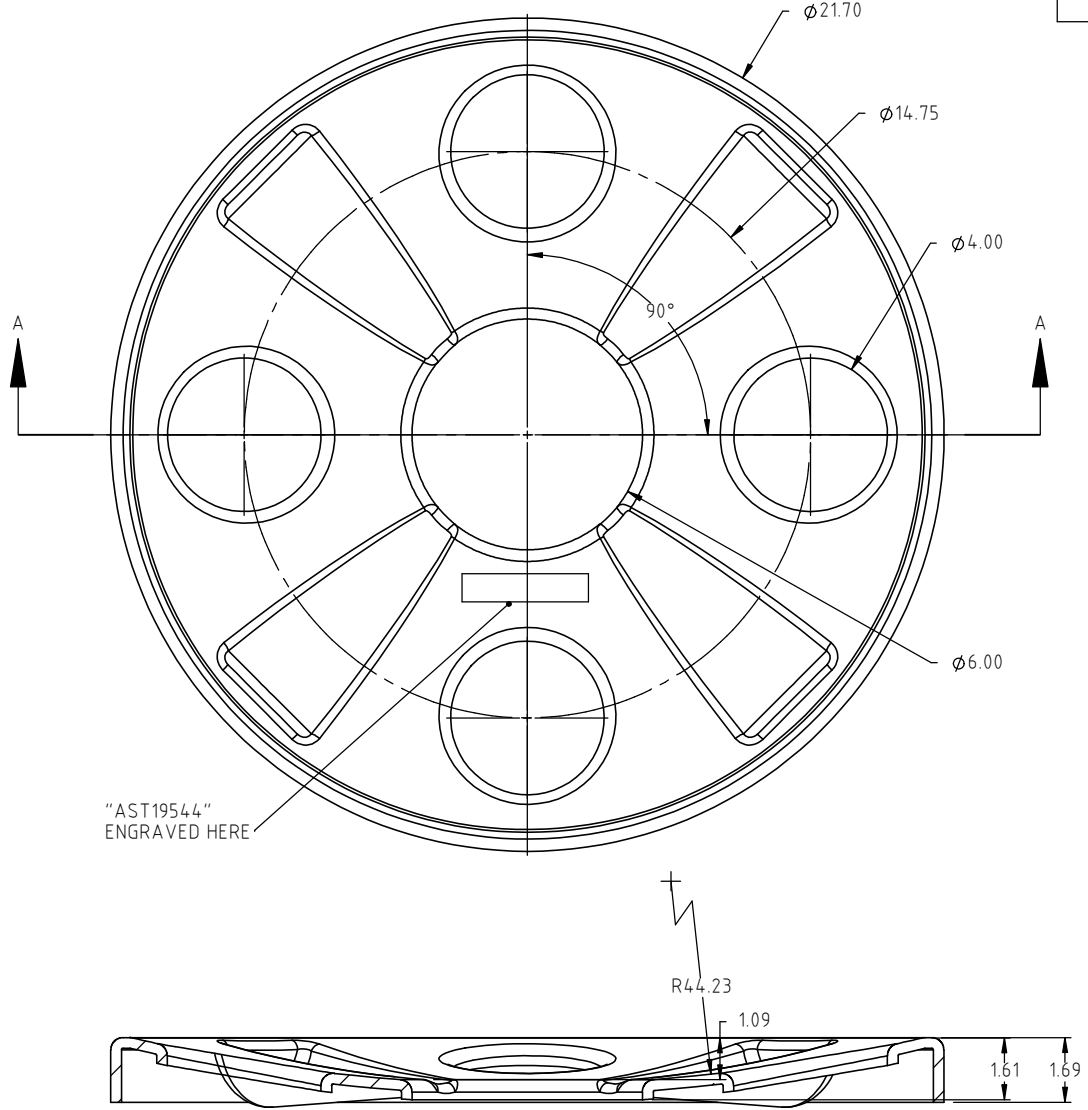
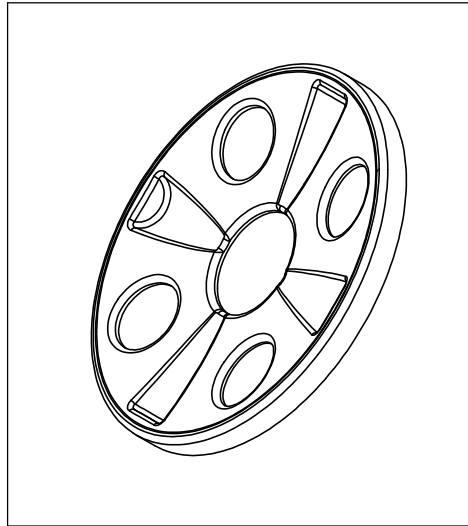


Copyright. All information furnished within this document, electronic file or design correspondence is the property of Den Hartog Industries, Inc. and shall not be used, disclosed to others or copied without the expressed written consent of Den Hartog Industries, Inc.



"AST19544"
ENGRAVED HERE

SECTION A-A
SCALE 1:5

				DRAWN / DATE ADH 10/21/13	MATERIAL 10420 NATURAL
				APPROD. / DATE REH 10/22/13	
REV	DESCRIPTION	BY / DATE	CCN		
ALL DIMENSIONS ARE IN DECIMAL INCHES TOLERANCES UNLESS OTHERWISE SPECIFIED		THIRD ANGLE PROJECTION ANSI 14.5M		SHOT WEIGHT: 7.5 LB. (2 CAVITY)	NOTES: 1.) 0.28 NOM. WALL THICKNESS 2.) 330 S.P. FINISH
POLYETHYLENE		METAL DECIMAL $\pm .125$ " FRACTION $\pm 1/4$ " ANGLE $\pm 1^\circ$		SHIPPING WEIGHT: 3.6 LB.	
$\pm 1\%$ @ 68°F				FINISH:	



Den Hartog
INDUSTRIES, INC.

Acra Roto-Mold Injection Molding Blow Molding Sowjoy

4010 HOSPERS DRIVE S. BOX 425, HOSPERS, IOWA 51238-0425

DESCRIPTION CISTERN/SEPTIC TANK OPENING RESTRICTOR	
SCALE N.S.	PART NO. AST19544