

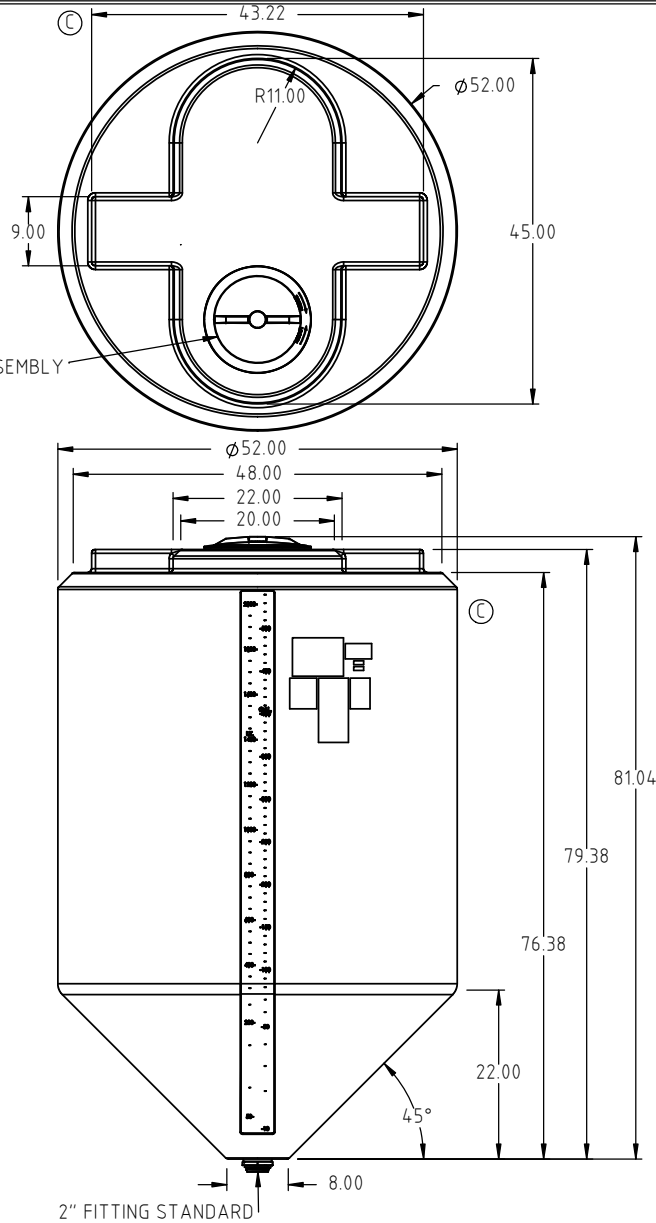
© DEN HARTOG INDUSTRIES, INC.

Copyright. All information furnished within this document, electronic file or design correspondence is the property of Den Hartog Industries, Inc. and shall not be used, disclosed to others or copied without the expressed written consent of Den Hartog Industries, Inc.

CB0500-52

C

12" VENTED LID ASSEMBLY



C	RIB REMOVED. GAPS IN TOP FLATS REMOVED.	DHJ 4/16/19	3751	DRAWN / DATE REH 08/06/01	MATERIAL HDPE OR EQUIVALENT REFERENCE MATERIAL DATA SHEET FOR SPECIFIC PROPERTIES.
B	16 INCH LID WAS SHOWN	DHJ 4/17/07		APPRD. / DATE GWC 4/18/07	
A	REMOVE STAND FROM PRINT	NVE 5/17/06			
REV	DESCRIPTION	BY / DATE	CCN		
ALL DIMENSIONS ARE IN DECIMAL INCHES TOLERANCES UNLESS OTHERWISE SPECIFIED		THIRD ANGLE PROJECTION ANSI 14.5M		SHOT WEIGHT: 130.00 LBS	NOTES: 1.) NOM. WALL @ .288 2.) XXXX
POLYETHYLENE		METAL DECIMAL ± .125" FRACTION ± 1/4" ANGLE ± 1°		SHIPPING WEIGHT: 132.00 LBS	
±1% @ 68°F				FINISH: NA	



Den Hartog
INDUSTRIES, INC.

Ace Roto-Mold Injection Molding Blow Molding Sowjoy

4010 HOSPERS DRIVE S. BOX 425, HOSPERS, IOWA 51238-0425

DESCRIPTION	500 GALLON CONE BOTTOM TANK, Ø52"	
SCALE	N.S.	PART NO. CB0500-52