

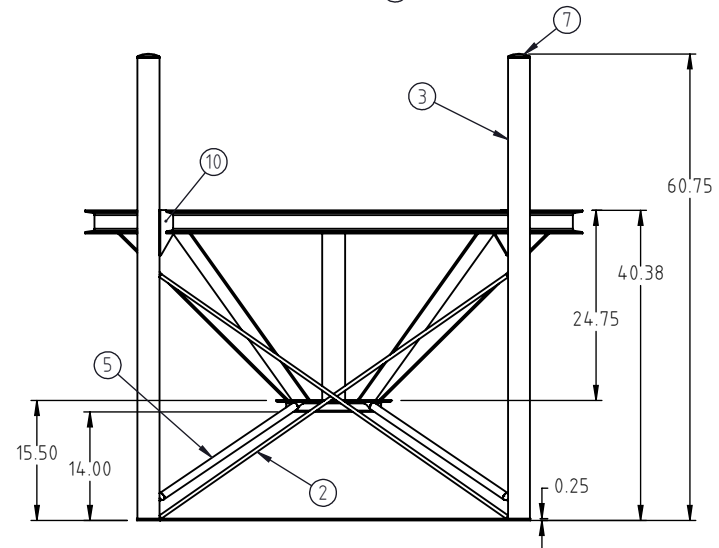
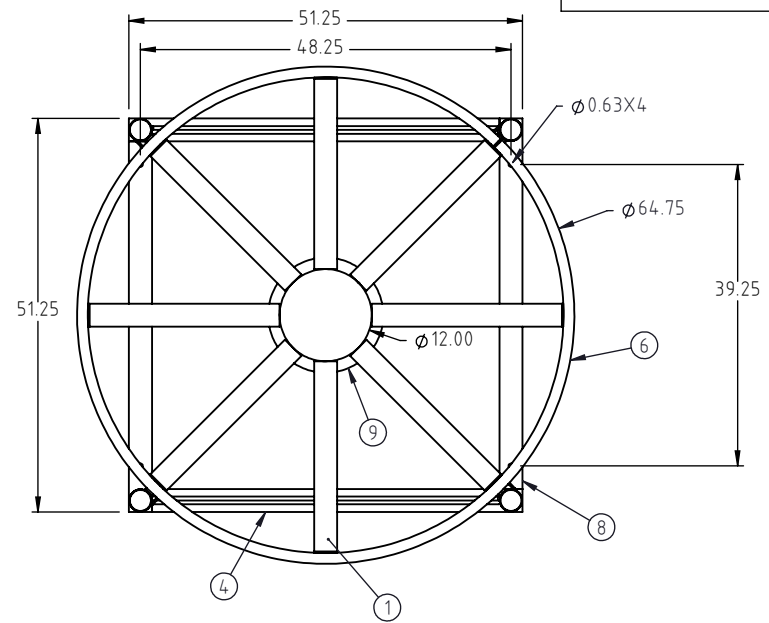
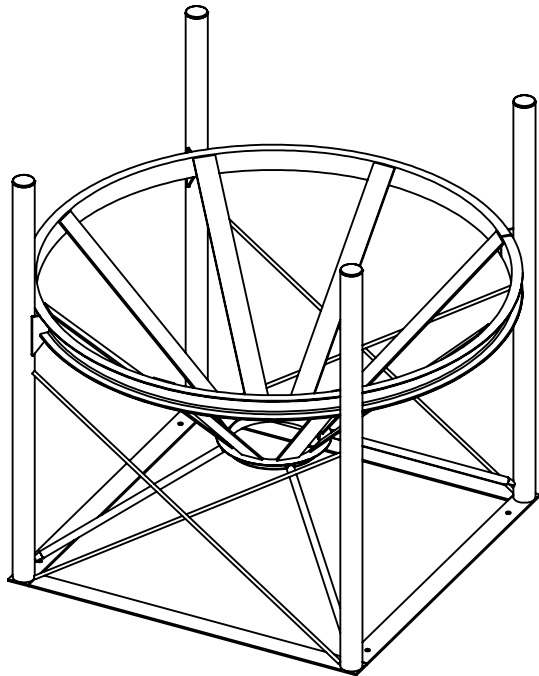
© DEN HARTOG INDUSTRIES, INC.

Copyright. All information furnished within this document, electronic file or design correspondence is the property of Den Hartog industries, Inc. and shall not be used, disclosed to others or copied without the expressed written consent of Den Hartog Industries, Inc.

ITEM NO.	PART NUMBER	DESCRIPTION	QTY.
1	CB064-45ST-1	SIDE SUPPORT STRAP	8
2	CB064-45ST-2	ROD CROSS BRACE	4
3	CB064-45ST-3	LEG PIPE	4
4	CB064-45ST-4	BASE STRAP	2
5	CB064-45ST-5	ANGLED SUPPORT PIPE	4
6	CB064-45ST-6	3 INCH CHANNEL RING	1
7	12688	PIPE PLUG, 2-1/2" BLACK	4
8	CB064-45ST-8	BASE STRAP-HOLES	2
9	RAR-12	ROLLED ANGLE, 12" PLAIN	1
10	SJ10306	BRACKET, CONE BOTTOM STAND	4

CB064-45ST

E



E

E	UPDATED SHEET FORMAT	SRA	7/20/2023	4447	DRAWN / DATE	MATERIAL :
D	12688 WAS CB064-45ST-7, 60.75 WAS 60.25	ADH	6/18/2009	1888	ADH 6/18/2007	SEE COMPONENTS
C	HOLES ADDED	ADH	1/16/2008	1566	APPRD. / DATE	
REV.	DESCRIPTION	BY	DATE	CCN	REH 7/18/2007	
ALL DIMENSIONS ARE IN DECIMAL INCHES TOLERANCES UNLESS OTHERWISE SPECIFIED		THIRD ANGLE PROJECTION ANSI 14.5M		SHOT WEIGHT:		NOTES:
POLYETHYLENE		METAL		SHIPPING WEIGHT: 320.00 LBS		
±1% @ 68°F		DECIMAL ± .125" FRACTION ± 1/4" ANGLE ± 1°		FINISH: Powder Coat		



**Den Hartog  
INDUSTRIES, INC.**

Ace Roto-Mold • Injection Molding • Blow Molding • Sowjoy  
4010 HOSPERS DRIVE S. BOX 425, HOSPERS, IOWA 51238-0425

DESCRIPTION		CB, STAND 64" DIA 45 DEG	
SCALE	N.S.	PART NO.	CB064-45ST
			SHEET 1 OF 1