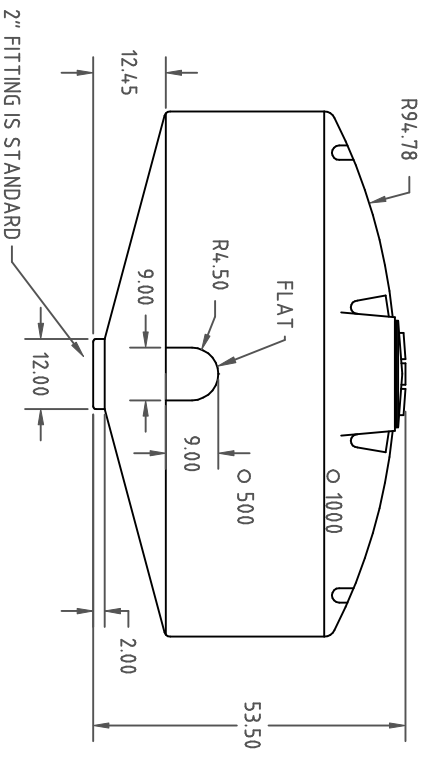
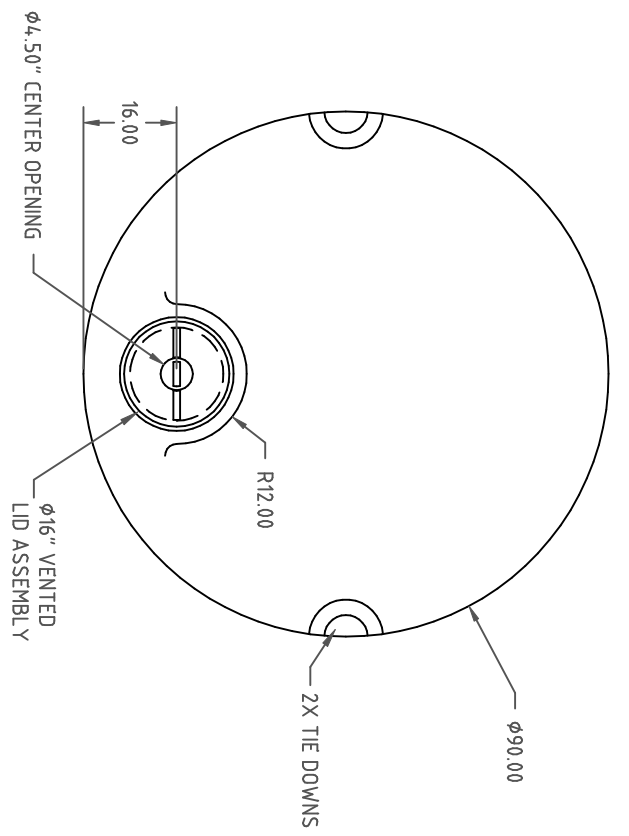
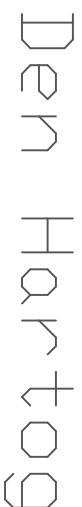


Copyright: All information furnished within this document, electronic file or design correspondence is the property of Den Hartog Industries, Inc. and shall not be used, disclosed to others or copied without the expressed written consent of Den Hartog Industries, Inc.



REV	DESCRIPTION	BY / DATE	THIRD ANGLE PROJECTION ANSI 14.5M	CMN	DRAWN / DATE DHJ 10/31/08	MATERIAL 10420 3 MELT	NOTES: 1. 28 WALL	DESCRIPTION 1000 GALLON 15° CONE BOTTOM TANK
	ALL DIMENSIONS ARE IN DECIMAL INCHES TOLERANCES UNLESS OTHERWISE SPECIFIED				APPRD. / DATE REH 4/24/09			 <p>Den Hartog INDUSTRIES, INC. Ace Roto-Mold Injection Molding Blow Molding SonJoy 4010 HOSPERS DRIVE S. BOX 425, HOSPERS, IOWA 51238-0421</p>
	POLYETHYLENE				SHOT WEIGHT: 210 LBS. SHIPPING WEIGHT: 212 LBS.			
	±1% @ 68° F				FINISH:			SCALE N.S. PART NO. CB1000-90