

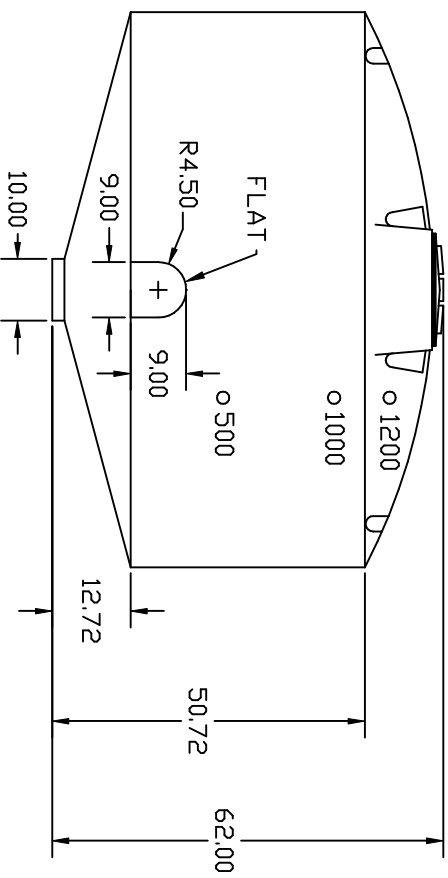
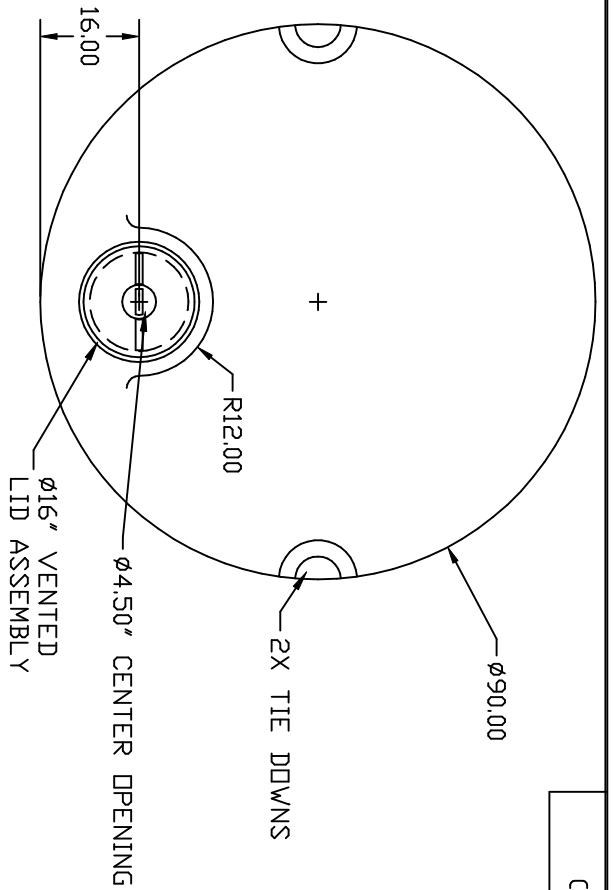
PROPRIETARY DATA

PROPERTY OF ACE ROTO-MOLD MFG. INC. INFORMATION FURNISHED HEREIN IS THE PROPERTY OF ACE ROTO-MOLD MFG. INC. AND SHALL NOT BE USED, DISCLOSED TO OTHERS, OR COPIED WITHOUT THE EXPRESSED WRITTEN CONSENT OF ACE ROTO-MOLD MFG. INC. ALL RIGHTS RESERVED.

1. SPECIFIC GRAVITY IS 1.75
2. 1 PIECE ROTATIONALLY MOLDED
3. TRANSLUCENT
4. FDA APPROVED RESIN
5. CALIBRATED IN GALLONS
6. THREE YEAR WARRANTY
7. UV STABILIZED
8. MIXER OR PUMP MOUNT ON REQUEST

CB1200-90

A



DRAWN / DATE

DHJ 3/27/95

MATERIAL

HPPE OR EQUIVALENT
REFERENCE MATERIAL DATA SHEET
FOR SPECIFIC PROPERTIES.

CLIENT / DESCRIPTION

1200 GALLON ϕ 90" 15° CONE BOTTOM TANK



ACE ROTO-MOLD
A DIVISION OF DEN HARTOG INDUSTRIES, INC.
4018 HWY. 60 BLVD., BOX 421, HOSPER, IOWA 51238

NOTES:

1. WHITE OR YELLOW TANK COLOR
2. SHOT WEIGHT 240 LBS.

SCALE

N.S.

PART NO.

CB1200-90

REV

DESCRIPTION

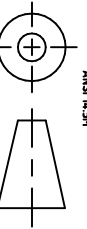
DATE

APPRD

APPRD

APPRD / DATE

THIRD ANGLE PROJECTION
ANSI 14.5M



ALL DIMENSIONS ARE IN DECIMAL INCHES
TOLERANCES UNLESS OTHERWISE SPECIFIED

+ 1% @ 68° F