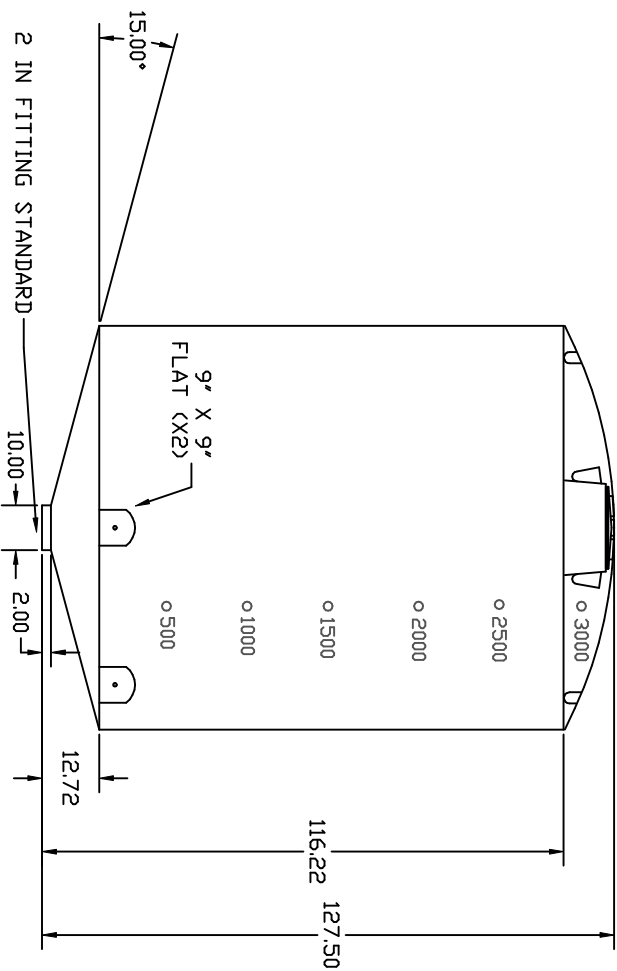
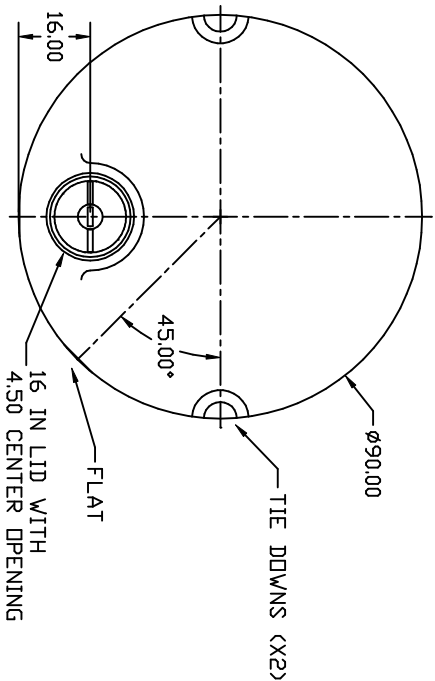


PROPERTY OF DEN HARTOG INDUSTRIES, INC. INFORMATION FURNISHED HEREIN IS THE PROPERTY OF DEN HARTOG INDUSTRIES, INC. AND SHALL NOT BE USED, DISCLOSED TO OTHERS, OR COPIED WITHOUT THE EXPRESSED WRITTEN CONSENT OF DEN HARTOG INDUSTRIES, INC. ALL RIGHTS RESERVED.



REV	DESCRIPTION	DATE	APPROD
B	HEIGHT WAS 125.00	7/17/06	NVE
A	ISOLATED TANK AND STAND	6/13/06	NVE

ALL DIMENSIONS ARE IN DECIMAL INCHES  
 TOLERANCES UNLESS OTHERWISE SPECIFIED  
 + 1% @ 68° F

DRAWN / DATE  
 EGB 9/13/94

APPROD. / DATE  
 REH 4/18/07

THIRD ANGLE PROJECTION  
 ANSI 14.5M

MATERIAL  
 HDPE OR EQUIVALENT  
 REFERENCE MATERIAL DATA SHEET  
 FOR SPECIFIC PROPERTIES.

NOTES:  
 1. NOM. WALL @ 0.430  
 2. SHOT WEIGHT 550 LBS.

CLIENT / DESCRIPTION  
**ACE ROTO-MOLD**  
 A DIVISION OF DEN HARTOG INDUSTRIES, INC.  
 4010 HOSPERS DRIVE S., BOX 425, HOSPERS, IA 51238

3000 GALLON,  $\phi 90$  CONE BOTTOM TANK

SCALE  
 N.S.

PART NO.  
 CB3000-90