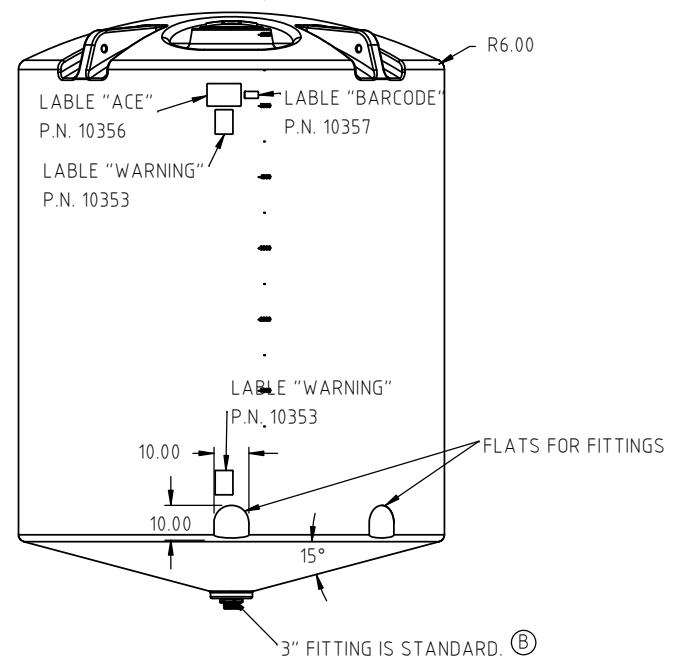
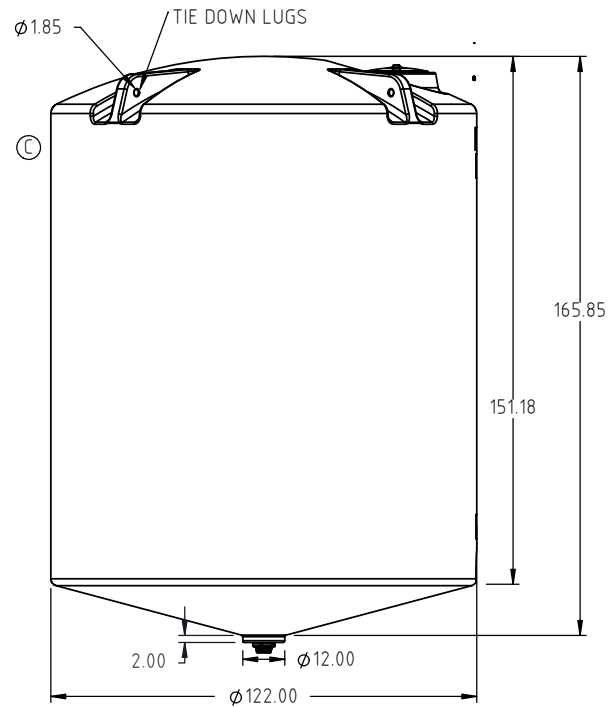
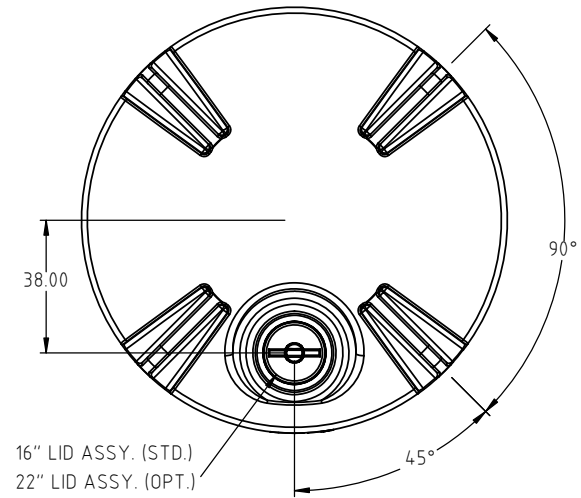


Copyright. All information furnished within this document, electronic file or design correspondence is the property of Den Hartog Industries, Inc. and shall not be used, disclosed to others or copied without the expressed written consent of Den Hartog Industries, Inc.



| | | | | | |
|---|--|--|------|------------------|--|
| C | RIB REMOVED FROM PART | DHJ 9/20/19 | 3849 | DRAWN / DATE | MATERIAL 10538 2 MELT |
| B | CHANGED STANDARD FITTING FROM 2" TO 3" | DHJ 3/31/10 | 2013 | DHJ 1/16/07 | |
| A | CHANGE PART NUMBER | DHJ 5/7/09 | | APPRD. / DATE | |
| REV | DESCRIPTION | BY / DATE | CCN | REH 4/18/07 | |
| ALL DIMENSIONS ARE IN DECIMAL INCHES TOLERANCES UNLESS OTHERWISE SPECIFIED | | THIRD ANGLE PROJECTION ANSI 14.5M | | SHOT WEIGHT: | NOTES: 1.) WHITE, BLACK, OR YELLOW COLOR |
| POLYETHYLENE | | METAL | | SHIPPING WEIGHT: | |
| ±1% @ 68°F | | DECIMAL ± .125" FRACTION ± 1/4" ANGLE ± 1° | | FINISH: | |



Den Hartog
INDUSTRIES, INC.

Ace Roto-Mold Injection Molding Blow Molding Sowjoy

4010 HOSPERS DRIVE S. BOX 425, HOSPERS, IOWA 51238-0425

| | | | |
|-------------|------|----------------------------------|------------|
| DESCRIPTION | | 6900 GALLON 15° CONE BOTTOM TANK | |
| SCALE | N.S. | PART NO. | CB6900-122 |