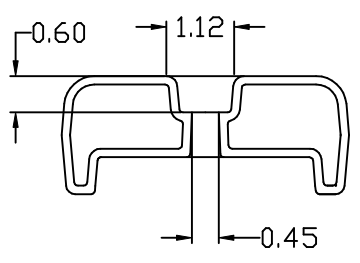
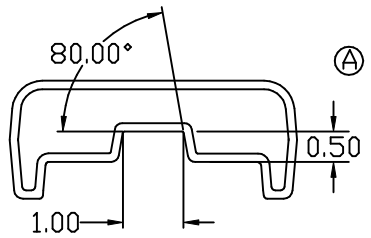


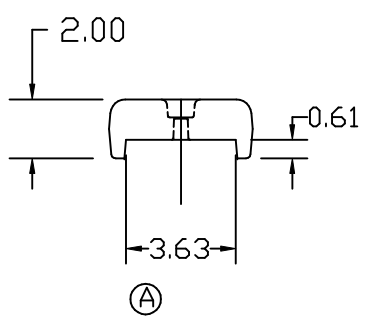
Copyright. All information furnished within this document, electronic file or design correspondence is the property of Den Hartog Industries, Inc. and shall not be used, disclosed to others or copied without the expressed written consent of Den Hartog Industries, Inc.



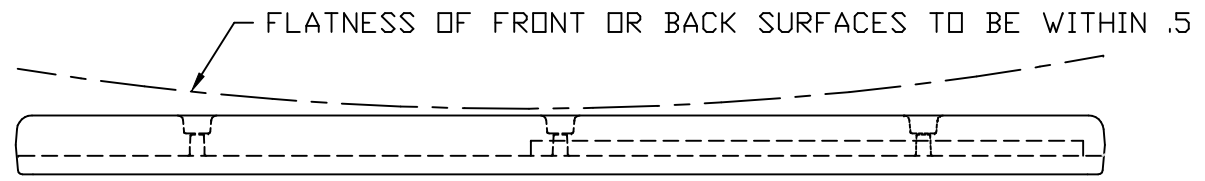
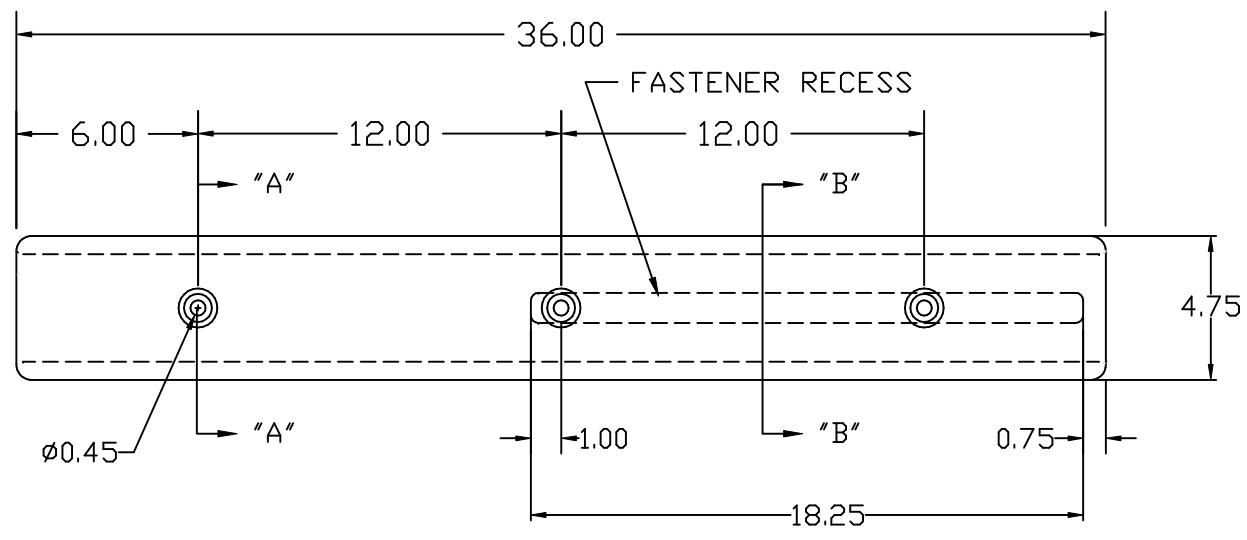
SECTION "A-A"



SECTION "B-B"




(A)



REV	DESCRIPTION	BY / DATE	CCN
B	MATERIALS IDENTIFIED, DRAWING TEMPLATE UPDATED	ADH 9/15/09	1931
A	PN WAS DCBM-11, GROOVE WAS 3.56	NVE 7/18/06	
ALL DIMENSIONS ARE IN DECIMAL INCHES TOLERANCES UNLESS OTHERWISE SPECIFIED		THIRD ANGLE PROJECTION ANSI 14.5M	
POLYETHYLENE		METAL	
±1% @ 68° F		DECIMAL ± .125" FRACTION ± 1/4" ANGLE ± 1°	

DRAWN / DATE	MATERIAL
REH / 6/8/03	LT5704
APPRD. / DATE	(B) 80007=80% 80001=20%
REH / 6/8/03	
SHOT WEIGHT:	NOTES:
2.0 LBS.	1. NOM. WALL @ .140
SHIPPING WEIGHT:	2. BLACK OR WHITE COLOR
FINISH:	3. COMPOUNDED U.V. INHIBITOR



Den Hartog

INDUSTRIES, INC.

Ace Roto-Mold Injection Molding Blow Molding Sowjoy
4010 HOSPERS DRIVE S. BOX 425, HOSPERS, IOWA 51238-0425

DESCRIPTION		BLOW-MOLDED 3.50" GROOVE BACK CUSHION - 3 FEET LONG	
SCALE	N.S.	PART NO.	DCBM3-3.50