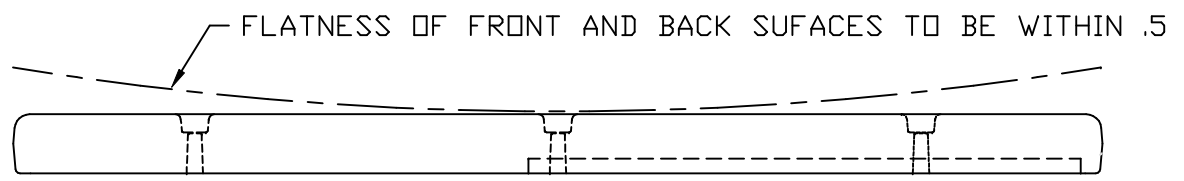
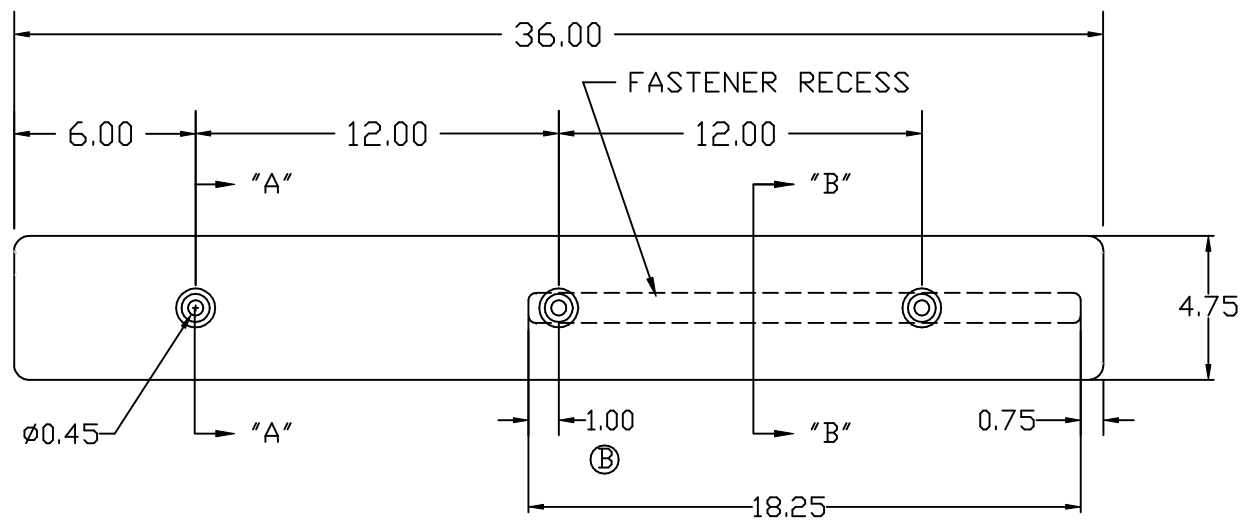
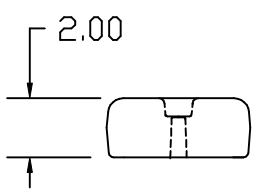
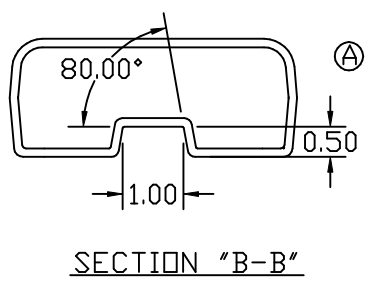
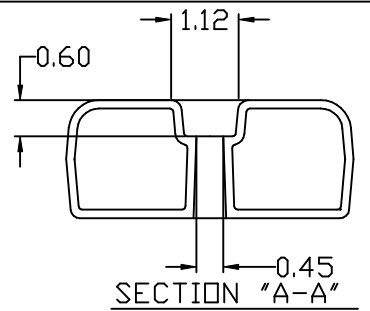



Copyright. All information furnished within this document, electronic file or design correspondence is the property of Den Hartog industries, Inc. and shall not be used, disclosed to others or copied without the expressed written consent of Den Hartog industries, Inc.



C	MATERIALS IDENTIFIED, DRAWING TEMPLATE UPDATED	ADH 9/15/09	1931	DRAWN / DATE	MATERIAL
B	PN WAS DCBM-9, DIM WAS 0.75	NVE 7/18/06		REH / 2/3/03	LT5704
A	FASTENER RECESS ADDED	12/29/03		APPRD. / DATE	© 80007=80%
REV	DESCRIPTION	BY / DATE	CCN	REH / 2/3/03	80001=20%
ALL DIMENSIONS ARE IN DECIMAL INCHES TOLERANCES UNLESS OTHERWISE SPECIFIED		THIRD ANGLE PROJECTION ANSI 14.5M		SHOT WEIGHT:	NOTES:
POLYETHYLENE		METAL		2.0 LBS.	1.) NOM. WALL @ .140
±1% @ 68° F		DECIMAL ± .125" FRACTION ± 1/4" ANGLE ± 1°		SHIPPING WEIGHT:	2.) BLACK OR WHITE COLOR
		[Symbol]		FINISH:	3.) COMPOUNDED U.V. INHIBITOR



Den Hartog

INDUSTRIES, INC.

Ace Roto-Mold Injection Molding Blow Molding Saw-Joy
4010 HOSPERS DRIVE S. BOX 425, HOSPERS, IOWA 51238-0425

DESCRIPTION		BLOW-MOLDED FLAT BACK CUSHION - 3 FEET LONG	
SCALE	N.S.	PART NO.	DCBM3-FLAT