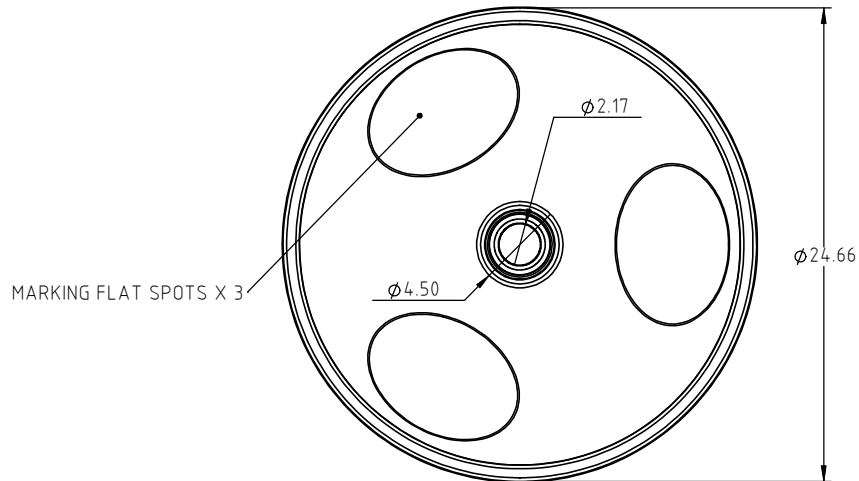
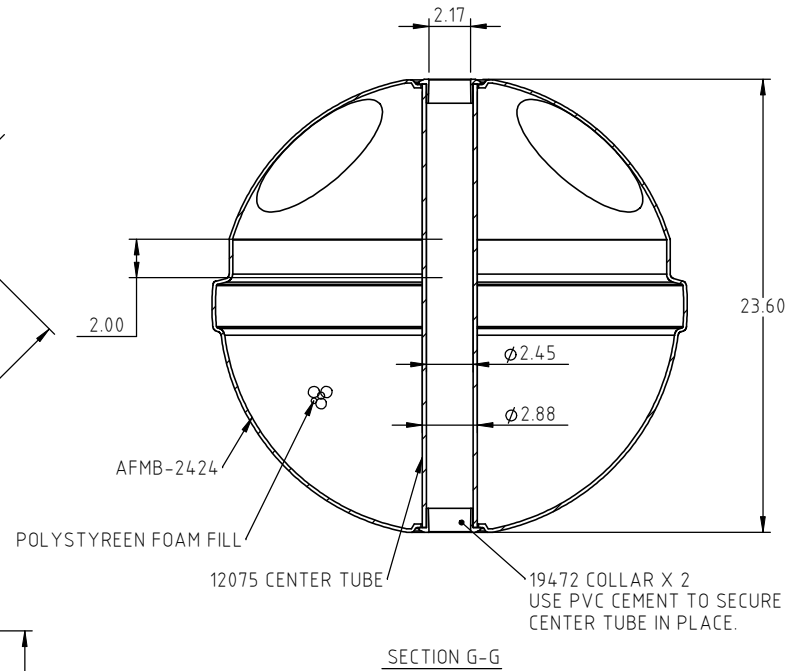
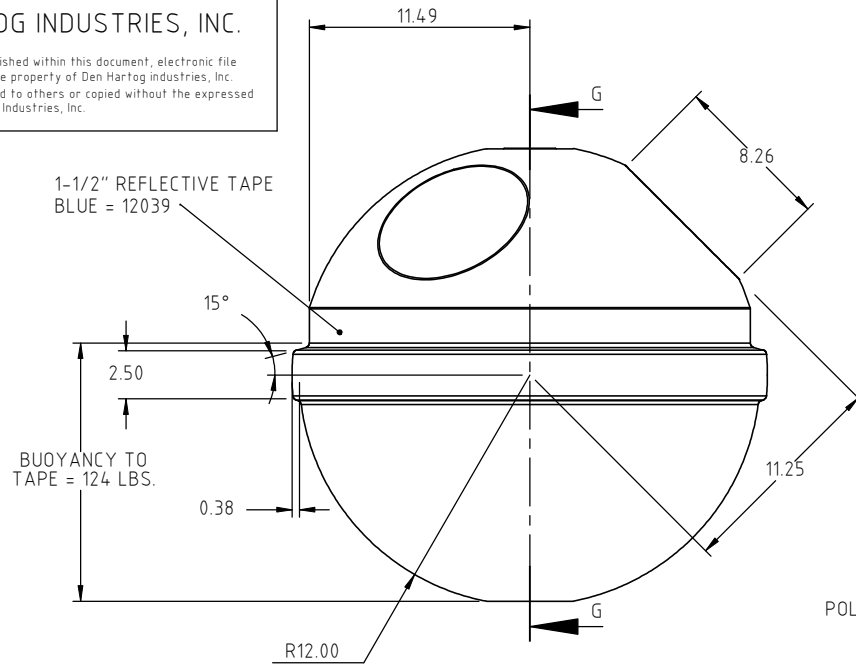


Copyright. All information furnished within this document, electronic file or design correspondence is the property of Den Hartog Industries, Inc. and shall not be used, disclosed to others or copied without the expressed written consent of Den Hartog Industries, Inc.



				DRAWN / DATE REH 9/3/09	MATERIAL
B	REDRAWN W/ LARGER TUBE	REH 9/3/09	1959		10948
A	ADDED BUOYANCY	DHJ 3/2/08	1638	APPRD. / DATE DHJ 10/28/09	
REV	DESCRIPTION	BY / DATE	CCN		
ALL DIMENSIONS ARE IN DECIMAL INCHES TOLERANCES UNLESS OTHERWISE SPECIFIED		THIRD ANGLE PROJECTION ANSI 14.5M		SHOT WEIGHT: 11.8 LBS.	NOTES: 1. WHITE COLOR 2. SHIP IN CTN. 12044 3. INCLUDE 19396 INSTRUCTIONS
POLYETHYLENE	METAL DECIMAL ± .125" FRACTION ± 1/4" ANGLE ± 1°			SHIPPING WEIGHT: 16 LBS.	
±1% @ 68°F				FINISH:	



Den Hartog
INDUSTRIES, INC.

Acra Roto-Mold Injection Molding Blow Molding Blow-Joy

4010 HOSPERS DRIVE S. BOX 425, HOSPERS, IOWA 51238-0425

DESCRIPTION BUOY, 24" DIA.	
SCALE N.S.	PART NO. FFMB-2424