

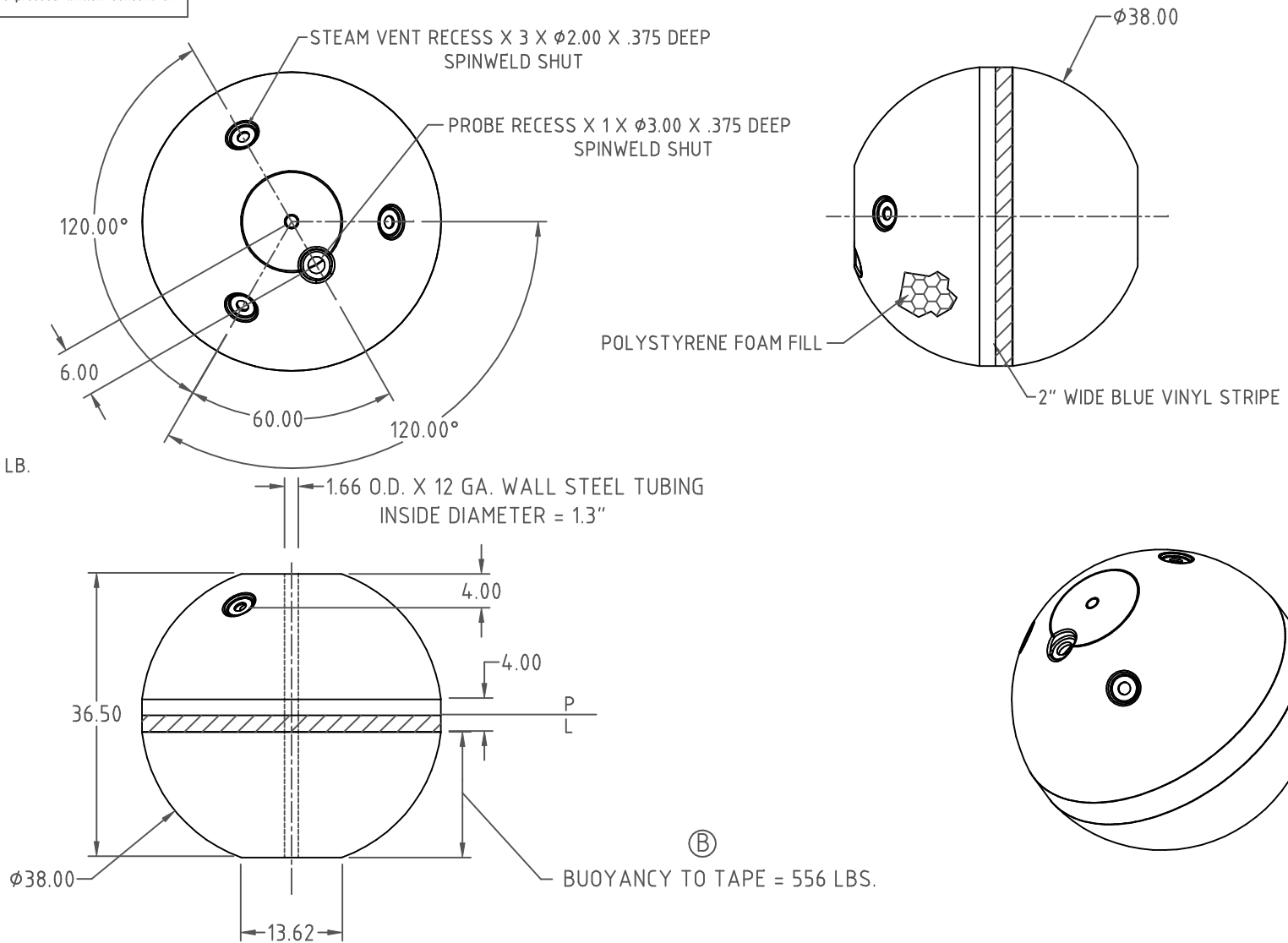
© DEN HARTOG INDUSTRIES, INC.

Copyright. All information furnished within this document, electronic file or design correspondence is the property of Den Hartog Industries Inc. and shall not be used, disclosed to others or copied without the expressed written consent of Den Hartog Industries, Inc.

Ⓒ

FFMB-3838RND


Ⓒ



NOTES:

1. SHIPPING WEIGHT = 65 LB.
2. SHIP IN CARTON 19148

C	CHANGED P.N.	10/27/10 REH	CCN2106	DRAWN / DATE	MATERIAL / SHOT WEIGHT
B	ADDED USEABLE BUOYANCY	3/28/08 DHJ	CCN1638	REH/2/10/03	
A	SHAFT CUT FLUSH WITH ENDS	5/20/03		APPRD. / DATE	E/M 8460, WHITE 41 LB.
REV	DESCRIPTION	DATE	CCN	DHJ/2/10/03	
ALL DIMENSIONS ARE IN DECIMAL INCHES TOLERANCES UNLESS OTHERWISE SPECIFIED $\pm .5\%$ @ 68° F				THIRD ANGLE PROJECTION ANSI 14.5M	NOTES: 1. NOMINAL WALL .250

 <p>Ace Roto-Mold A DIVISION OF DEN HARTOG INDUSTRIES, INC. 4010 HOSPERS DRIVE SOUTH, BOX 425, HOSPERS, IA 51238</p>	CLIENT / DESCRIPTION
	BUOY, 38" DIA.
SCALE DOES NOT APPLY	PART NO. FFMB-3838RND