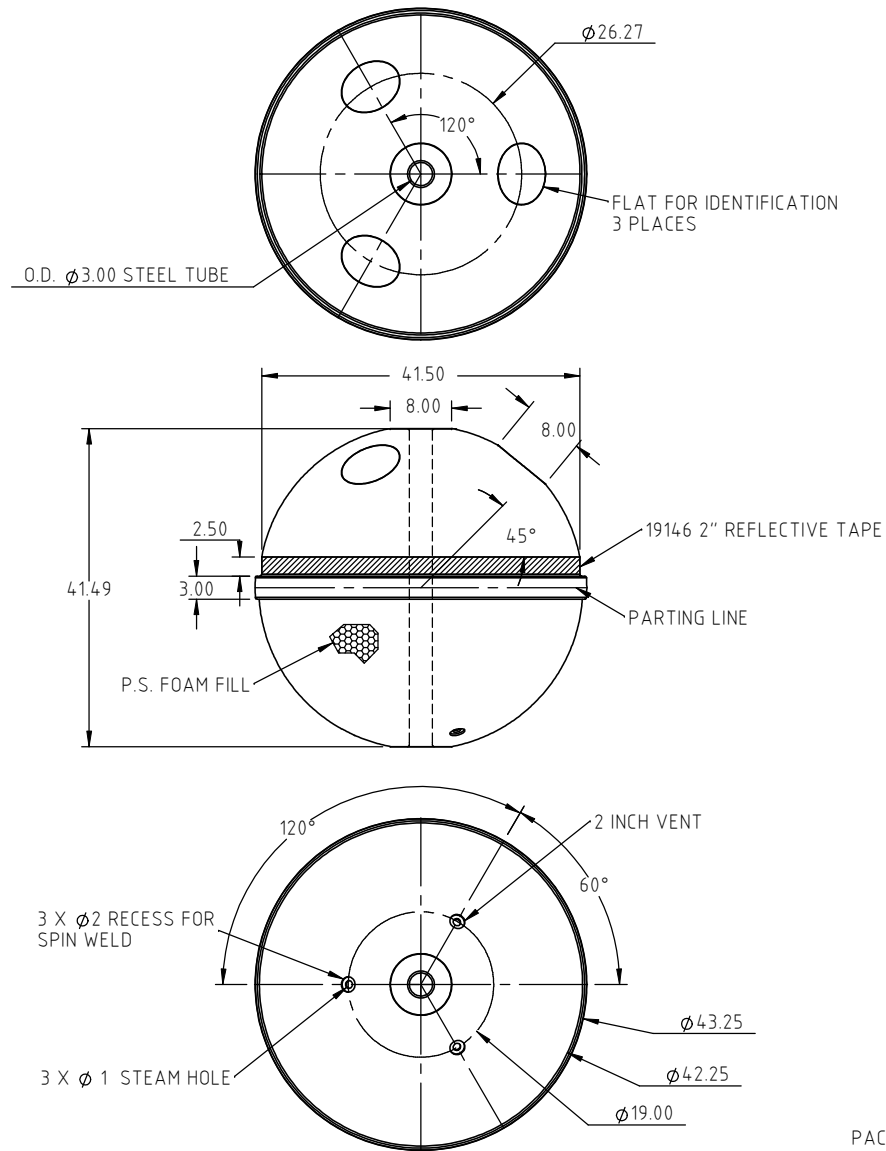


Copyright. All information furnished within this document, electronic file or design correspondence is the property of Den Hartog industries, Inc. and shall not be used, disclosed to others or copied without the expressed written consent of Den Hartog Industries, Inc.



PACKAGE IN 19149 CARTON FOR SHIPMENT

				DRAWN / DATE DHJ 3/24/10	MATERIAL 10948
				APPRD. / DATE REH 10/26/10	
REV	DESCRIPTION	BY / DATE	CCN		
ALL DIMENSIONS ARE IN DECIMAL INCHES TOLERANCES UNLESS OTHERWISE SPECIFIED		THIRD ANGLE PROJECTION ANSI 14.5M		SHOT WEIGHT: 54.00 LBS.	NOTES: 1.) .250" WALL 2.) 21.3 LBS. FOAM
POLYETHYLENE		METAL DECIMAL ± .125" FRACTION ± 1/4" ANGLE ± 1°		SHIPPING WEIGHT: 96.00 LBS.	
±1% @ 68°F				FINISH:	



Den Hartog
INDUSTRIES, INC.

Acro Roto-Mold Injection Molding Blow Molding Sowjey

4010 HOSPERS DRIVE S. BOX 425, HOSPERS, IOWA 51238-0425

DESCRIPTION 42 INCH FOAM FILLED MORING BUOY	
SCALE N.S.	PART NO. FFMB-4242