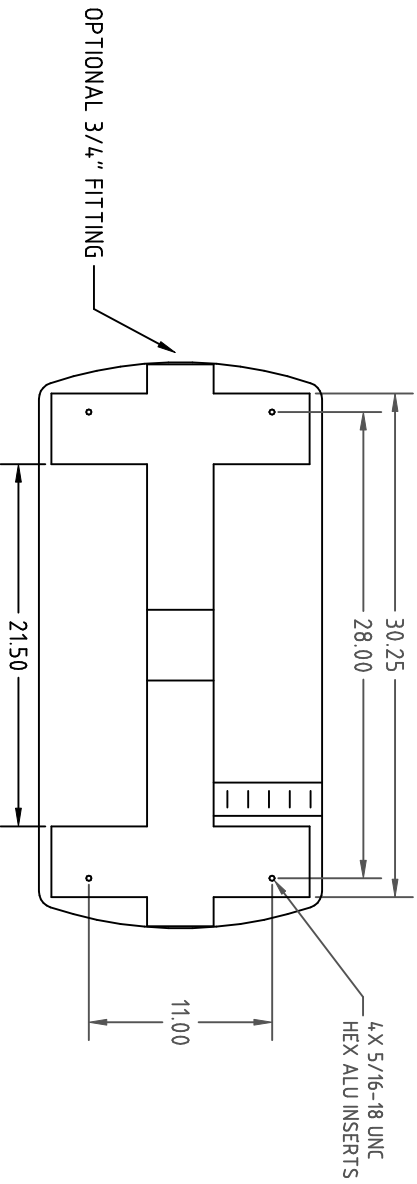
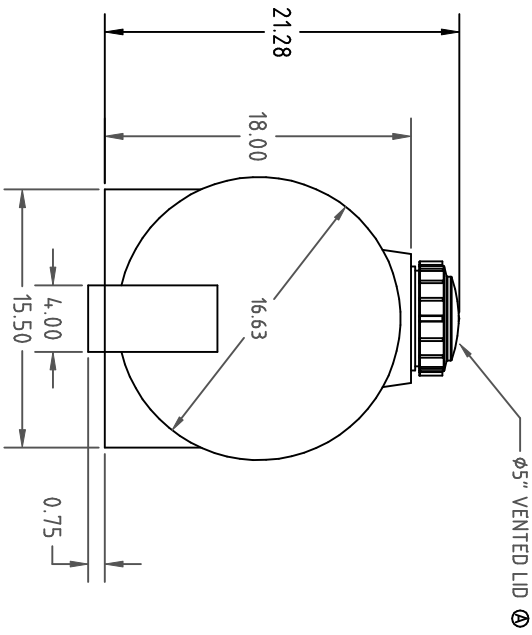
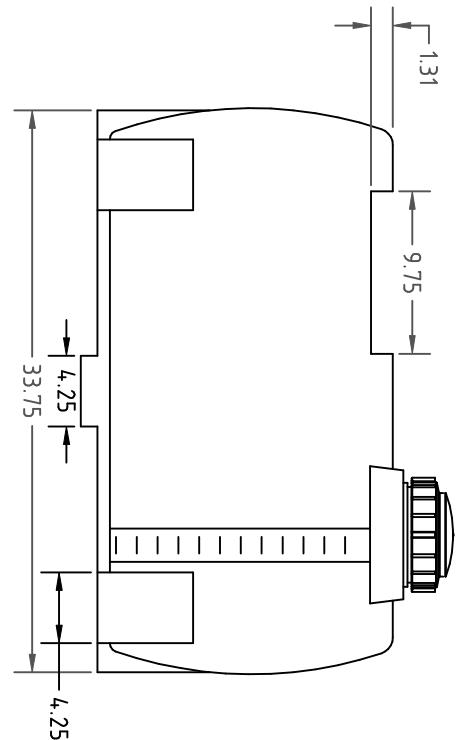
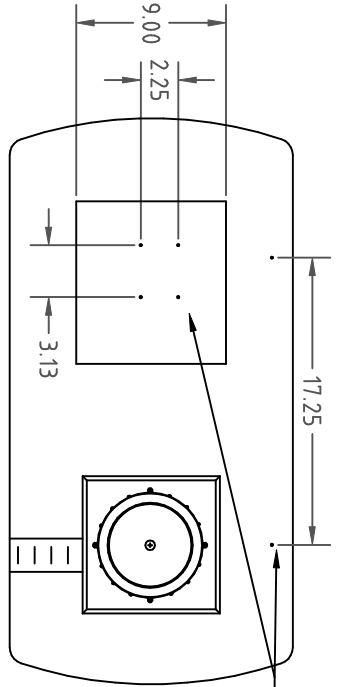


Copyright: All information furnished within this document, electronic file or design correspondence is the property of Den Hartog Industries, Inc. and shall not be used, disclosed to others or copied without the expressed written consent of Den Hartog Industries, Inc.



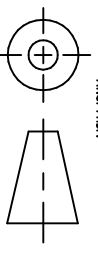
DRAWN / DATE  
DHJ 1/8/03

MATERIAL

APPRD. / DATE  
NVE 7/28/05

POLYETHYLENE  
REFERENCE MATERIAL DATA SHEET  
FOR SPECIFIC PROPERTIES.

THIRD ANGLE PROJECTION  
ANSI 14.5M



- NOTES:
- 1. NOM. WALL @ .150
  - 2. SHOT WEIGHT 13.50 LBS. Ⓢ
  - 3. WHITE OR YELLOW COLOR

CLIENT / DESCRIPTION



**ACEF ROTO-MOLD**  
A DIVISION OF DEN HARTOG INDUSTRIES, INC.  
4010 HOSPERS DRIVE S. BOX 425, HOSPERS, IOWA 51238-0421 Ⓢ

25 LEG GALLON TANK WITH SUMP

SCALE

N.S.

PART NO.

FM0025-16S

REV	DESCRIPTION	DATE	APPRD
A	ADDRESS, WEIGHT (13 LBS), LID SIZE (6") UPDATED	ADH 5/5/09	ICN 1853

ALL DIMENSIONS ARE IN DECIMAL INCHES  
TOLERANCES UNLESS OTHERWISE SPECIFIED

+ 1% @ 68° F