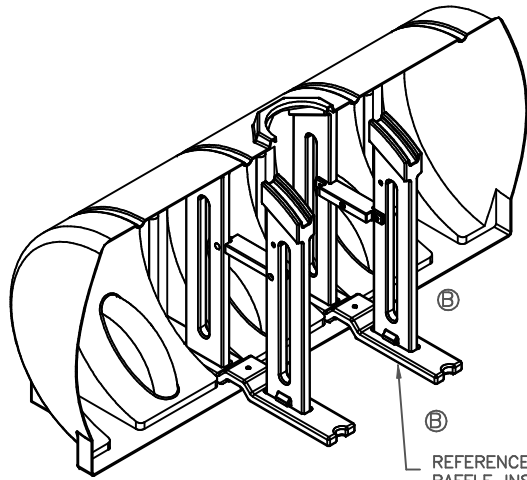
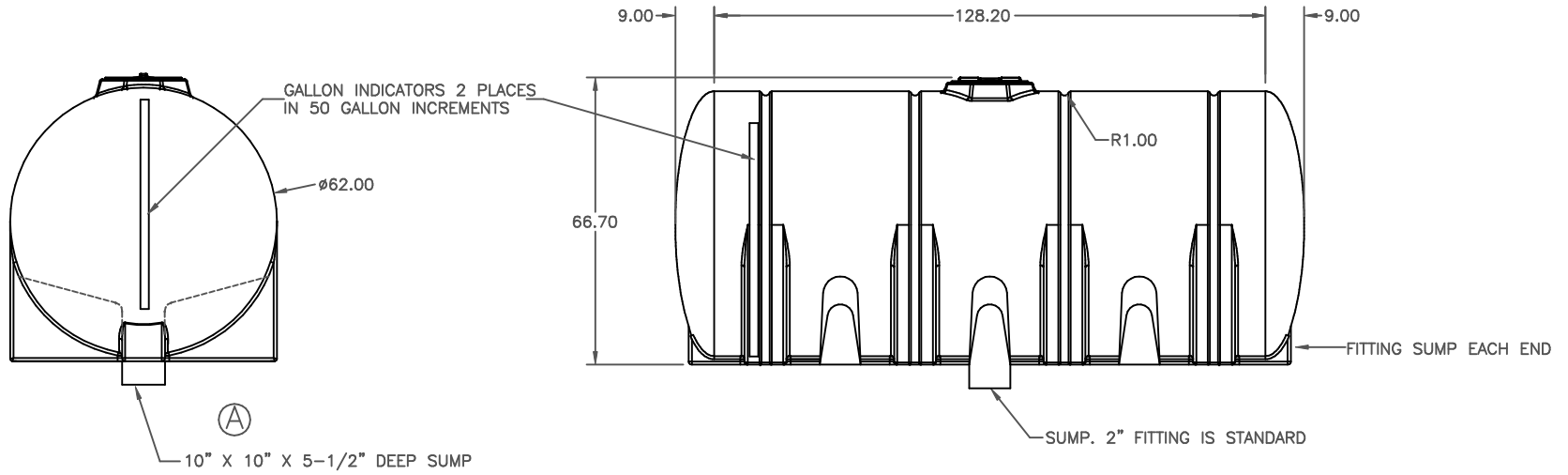


PROPRIETARY DATA

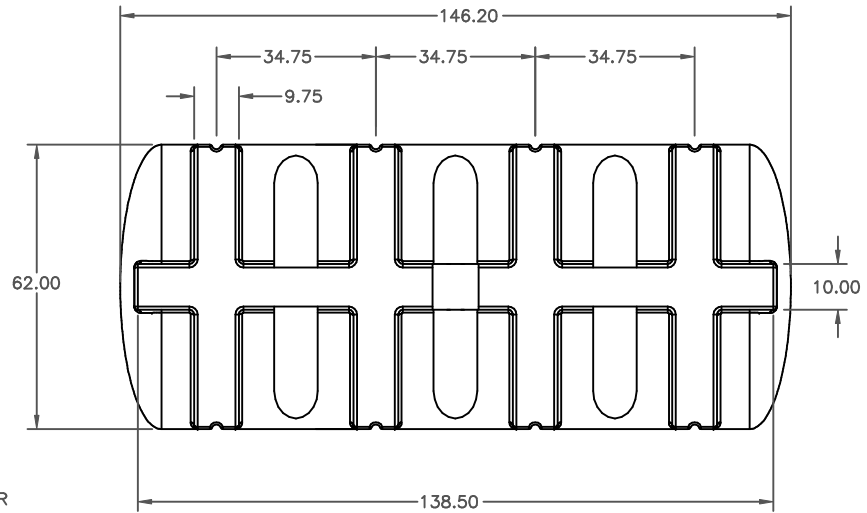
PROPERTY OF ACE ROTO-MOLD MFG., INC. INFORMATION FURNISHED HEREIN IS THE PROPERTY OF ACE ROTO-MOLD MFG., INC. AND SHALL NOT BE USED, DISCLOSED TO OTHERS, OR COPIED WITHOUT THE EXPRESSED WRITTEN CONSENT OF ACE ROTO-MOLD MFG., INC. ALL RIGHTS RESERVED.

FM1750-62

B




REFERENCE DRAWING FS1750-BAF FOR
BAFFLE INSTALLATION INSTRUCTIONS



NOTE: 4 HOOPS ARE REQUIRED ON THIS TANK
NOTE: FS1750-BAF KIT IS STANDARD

B	BAFFLE KIT MADE STANDARD	5/15/08	ADH	1650	DRAWN / DATE REH/09/12/06	MATERIAL: 540 LB. HDPE
A	INCREASE SUMP SIZE	9/28/07	DHJ			
REV	DESCRIPTION	DATE	APPRD	CCN		
ALL DIMENSIONS ARE IN DECIMAL INCHES TOLERANCES UNLESS OTHERWISE SPECIFIED $\pm 1\% \text{ @ } 68^{\circ} \text{ F}$					THIRD ANGLE PROJECTION ANSI 14.5M 	
					NOTES: 1. AVAILABLE IN NATURAL OR YELLOW COLOR. 2. NOM. WALL =.400	



Ace Roto-Mold
 A DIVISION OF DEN HARTOG INDUSTRIES, INC.
 4010 HOSPERS DRIVE S., BOX 425, HOSPERS, IOWA 51238

CLIENT / DESCRIPTION

1750 GAL. LEG TANK

SCALE N.S.	PART NO. FM1750-62
---------------	-----------------------