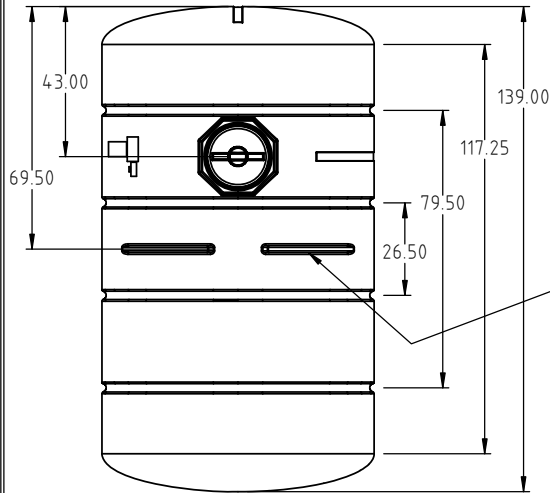
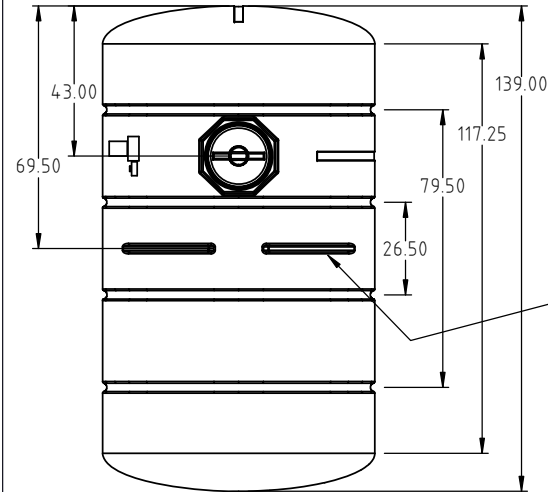


Copyright. All information furnished within this document, electronic file or design correspondence is the property of Den Hartog Industries, Inc. and shall not be used, disclosed to others or copied without the expressed written consent of Den Hartog Industries, Inc.



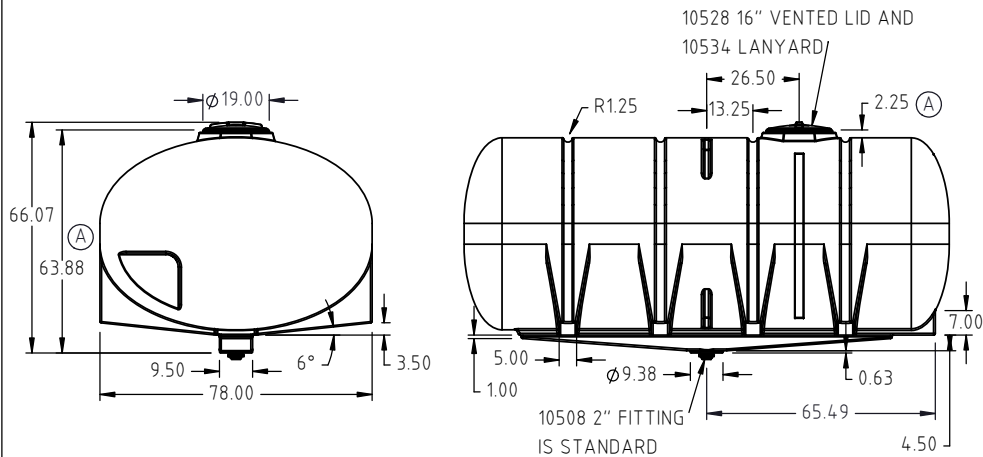
FM1850-78C  
CENTER DRAIN SUMP

BAFFLE KEYS 4 PLACES  
INSTALL BAFFLES AND STRUTS  
FOR SHIPMENT.

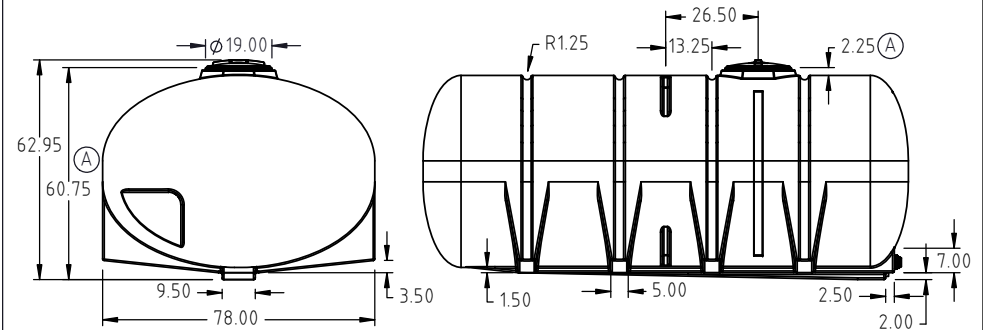


FM1850-78E  
END DRAIN SUMP

BAFFLE KEYS 4 PLACES  
INSTALL BAFFLES AND STRUTS  
FOR SHIPMENT.



IMPORTANT: HOOPS ARE REQUIRED ON THIS TANK



IMPORTANT: HOOPS ARE REQUIRED ON THIS TANK

DRAWN / DATE ADH 12/21/2012			MATERIAL : 10538		
APPRD. / DATE REH 2/21/2012					
REV.	DESCRIPTION	BY	DATE	CCN	
A	2.25" WAS 4.00"; 63.88" WAS 65.00"; 60.75" WAS 62.50"; DRAWING TEMPLATE UPDATED.	ADH	5/26/2023	4429	
ALL DIMENSIONS ARE IN DECIMAL INCHES TOLERANCES UNLESS OTHERWISE SPECIFIED		THIRD ANGLE PROJECTION ANSI 14.5M		SHOT WEIGHT: 525 LB.	
POLYETHYLENE		METAL		NOTES: 1.) WHITE OR YELLOW COLOR	
±1% @ 68°F		DECIMAL ± .125" FRACTION ± 1/4" ANGLE ± 1°		NOMINAL WALL THICKNESS: 0.375"	
DESCRIPTION 1850 GALLON TANK			SCALE N.S.		
PART NO. FM1850-78			SHEET 1 OF 1		



**Den Hartog  
INDUSTRIES, INC.**

Ace Roto-Mold • Injection Molding • Blow Molding • Sowjoy  
4010 HOSPERS DRIVE S. BOX 425, HOSPERS, IOWA 51238-0425