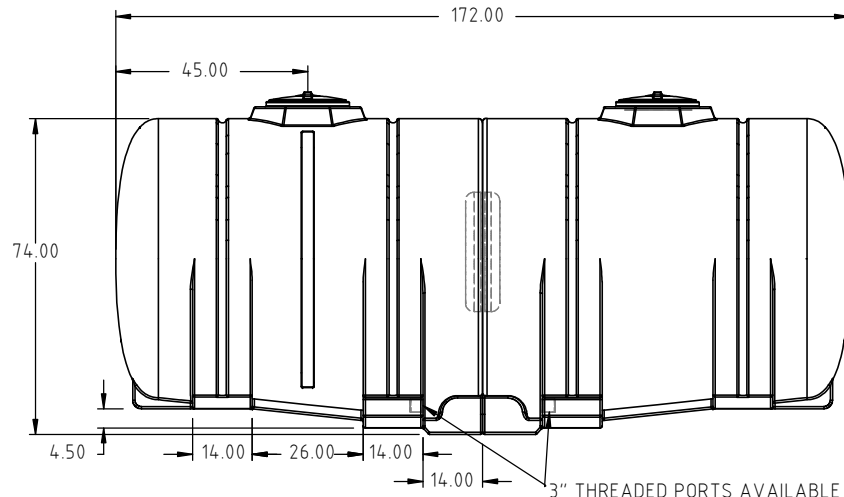
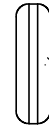
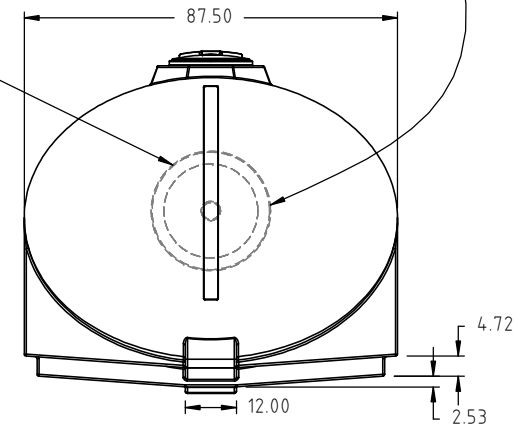


TANK KEY FS-24D IS REQUIRED BETWEEN TANK SECTIONS.



GALLON INDICATORS BOTH SIDES AND ENDS




3" THREADED PORTS AVAILABLE HERE ON EACH SIDE. DESIRED PORTS CAN BE DRILLED OPEN FOR USE.

CAUTION: TWO COMPARTMENT TANKS MUST BE PLUMBED TO DRAIN EQUALLY. DO NOT USE TANKS AS INDIVIDUAL STORAGE COMPARTMENTS.

NOTE: 4 HOOPS ARE REQUIRED ON THIS TANK

B	FM3200-2S WAS FS3200-2S	ADH 3/4/15	3026	DRAWN / DATE REH 03/02/01	MATERIAL HDPE
A	ADD CAUTION NOTE	11/2/06		APPROD. / DATE REH 03/02/01	
REV	DESCRIPTION	BY / DATE	CCN		
ALL DIMENSIONS ARE IN DECIMAL INCHES TOLERANCES UNLESS OTHERWISE SPECIFIED		THIRD ANGLE PROJECTION ANSI 14.5M		SHOT WEIGHT:	NOTES: 1.) AVAILABLE IN NATURAL OR YELLOW COLOR. 2.) NOM. WALL = 0.450
POLYETHYLENE		METAL DECIMAL ± .125" FRACTION ± 1/4" ANGLE ± 1°		SHIPPING WEIGHT:	
±1% @ 68°F				FINISH:	



Den Hartog

INDUSTRIES, INC.

Ace Roto-Mold Injection Molding Blow Molding Sowjoy

4010 HOSPERS DRIVE S. BOX 425, HOSPERS, IOWA 51238-0425

DESCRIPTION		3200 GAL. SECTIONAL TANK	
SCALE	N.S.	PART NO.	ⓑ FM3200-2S