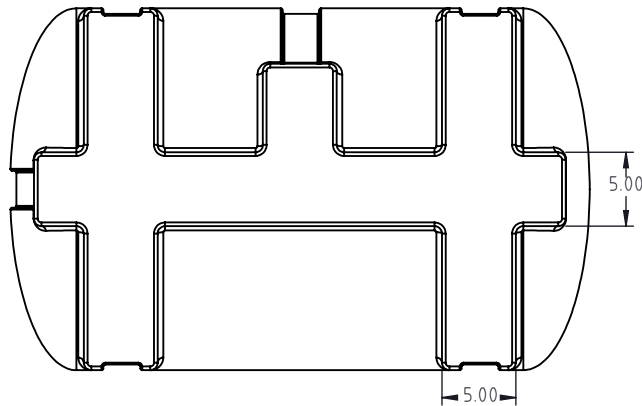
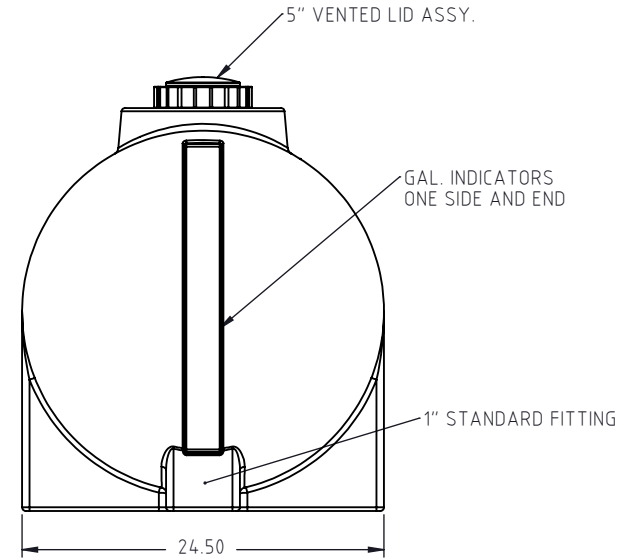
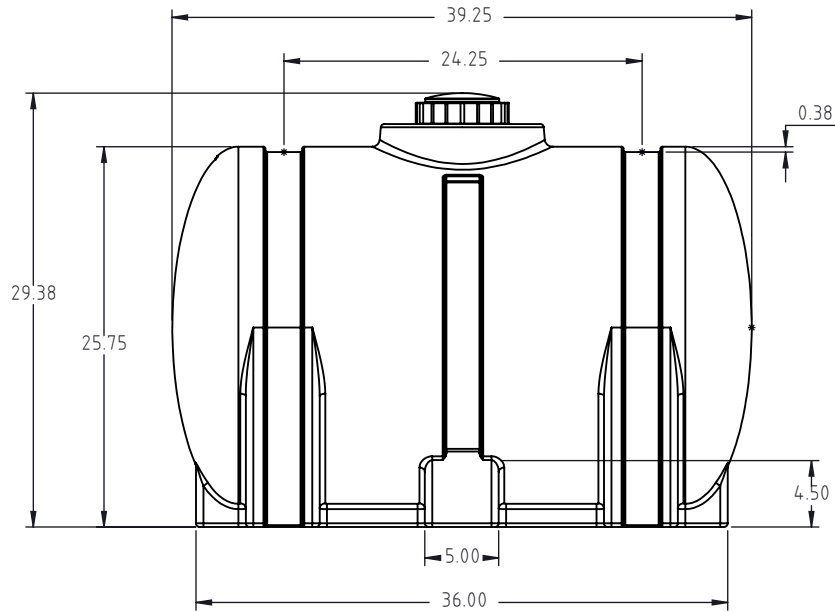



Copyright. All information furnished within this document, electronic file or design correspondence is the property of Den Hartog industries, Inc. and shall not be used, disclosed to others or copied without the expressed written consent of Den Hartog Industries, Inc.



B	DRAWING TEMPLATE UPDATED, MATERIAL/SHIPPING WEIGHT ADDED	ADH 7/26/10	2065	DRAWN / DATE DHJ 5/30/02	MATERIAL ⓑ
A	CHANGE WEIGHT	8/12/05		APPRD. / DATE REH 5/30/02	1.) POWDER, 3 MELT
REV	DESCRIPTION	BY / DATE	CCN		
ALL DIMENSIONS ARE IN DECIMAL INCHES TOLERANCES UNLESS OTHERWISE SPECIFIED		THIRD ANGLE PROJECTION ANSI 14.5M		SHOT WEIGHT: 32.00 LBS	NOTES:
POLYETHYLENE ±1% @ 68°F				SHIPPING WEIGHT: 33.00 LBS	1.) WHITE, YELLOW, OR BLACK COLOR
				FINISH:	2.) NOM. WALL .200



Den Hartog

INDUSTRIES, INC.

Ace Roto-Mold Injection Molding Blow Molding Sowjoy

4010 HOSPERS DRIVE S. BOX 425, HOSPERS, IOWA 51238-0425

DESCRIPTION 65 GALLON FREE STANDING TANK	
SCALE N.S.	PART NO. FS0065-24