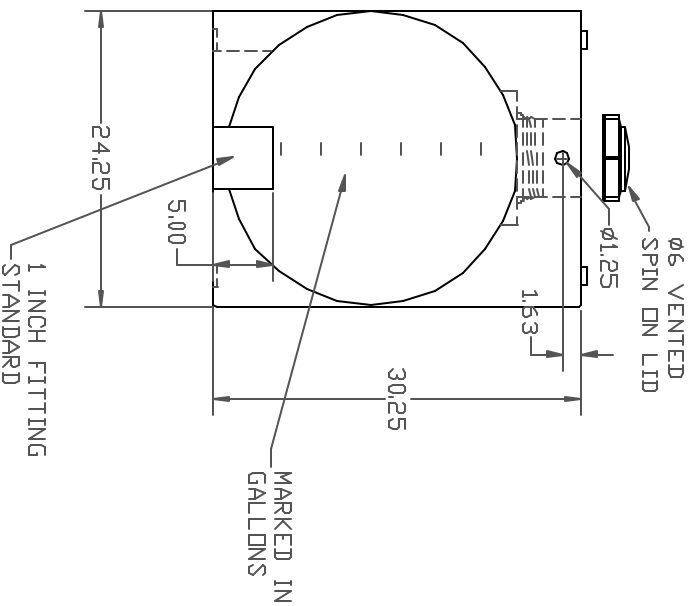
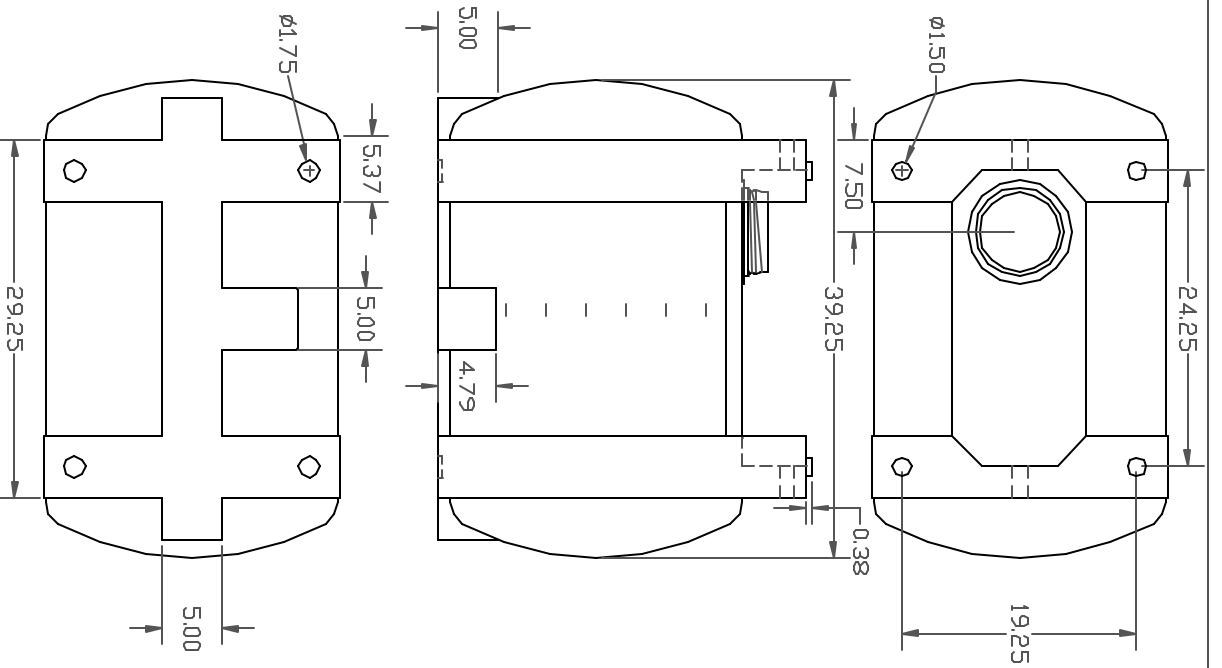


PROPRIETARY DATA

PROPERTY OF ACE ROTO-MOLD MFG., INC. INFORMATION FURNISHED HEREIN IS THE PROPERTY OF ACE ROTO-MOLD MFG., INC. AND SHALL NOT BE USED, DISCLOSED TO OTHERS, OR COPIED WITHOUT THE EXPRESSED WRITTEN CONSENT OF ACE ROTO-MOLD MFG., INC. ALL RIGHTS RESERVED.

FS0070-24

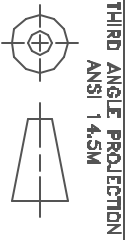


REV	DESCRIPTION	DATE APPRD.

DRAWN / DATE
DHJ 12-28-04
APPRD. / DATE

MATERIAL / SHOT WEIGHT
HDPE 35 LBS.

THIRD ANGLE PROJECTION
ANSI 14.5M



NOTES:
1. STACKS THREE HIGH
2. BLACK, WHITE, OR YELLOW COLOR
3. NOM. WALL. .200



Ace Roto-Mold
A DIVISION OF DEN HARTOG INDUSTRIES, INC.

CLIENT / DESCRIPTION

70 GALLON STACKABLE LEG TANK

SCALE

NONE

PART NO.

FS0070-24

ALL DIMENSIONS ARE IN DECIMAL INCHES
TOLERANCES UNLESS OTHERWISE SPECIFIED
±1% @ 68° F