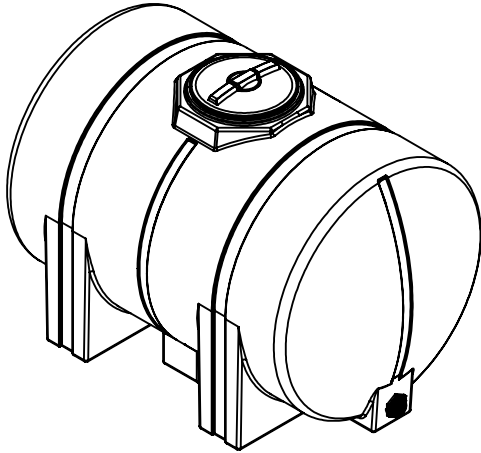
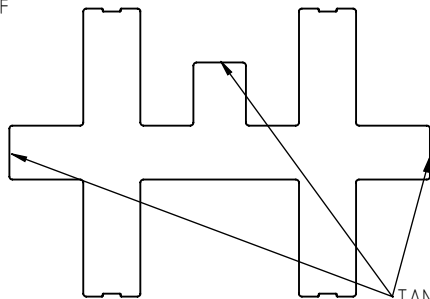


Copyright. All information furnished within this document, electronic file or design correspondence is the property of Den Hartog industries, Inc. and shall not be used, disclosed to others or copied without the expressed written consent of Den Hartog Industries, Inc.

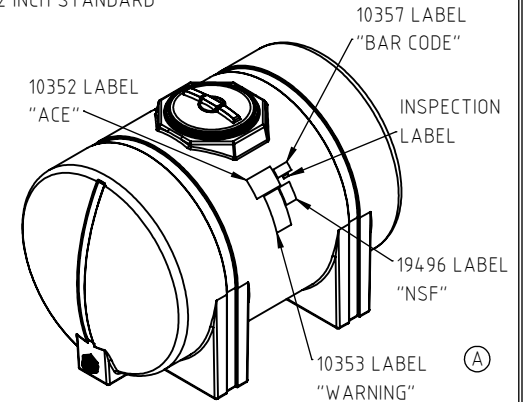
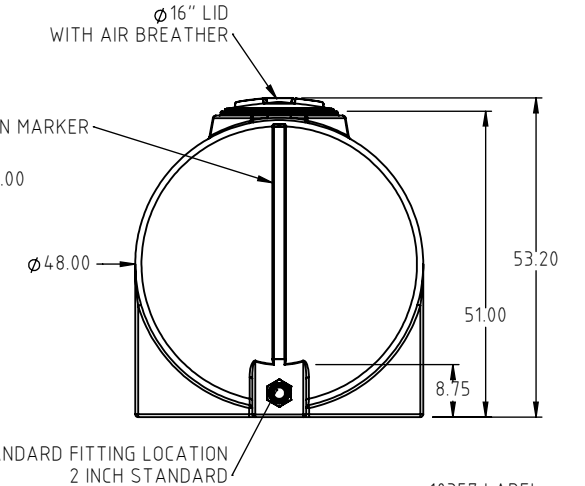
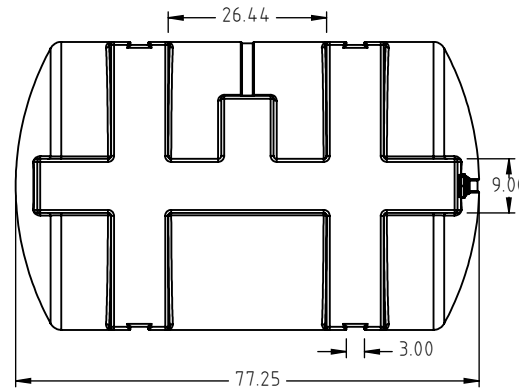
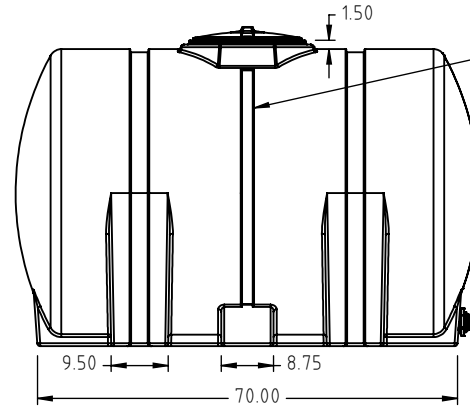
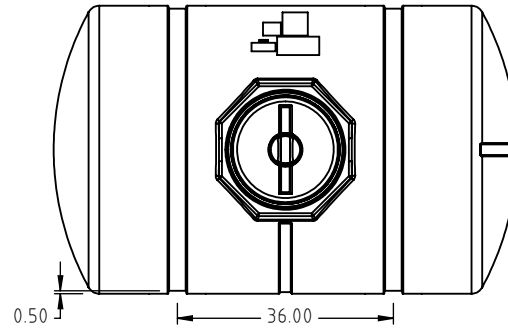


CUTAWAY VIEW OF BOTTOM INSIDE OF TANK

TROUGH PROMOTES DRAINAGE OF TANK



TANK FITTING CAN BE INSTALLED ON ANY OF THESE 3 SUMP LOCATIONS



B	UPDATE WALL THICKNESS AND WEIGHT	NHW 8/28/20	4024	DRAWN / DATE NVE 7/25/05	MATERIAL HDPE OR EQUIVALENT REFERENCE MATERIAL DATA SHEET FOR SPECIFIC PROPERTIES.
A	LABEL DETAIL ADDED TO THE PRINT	ADH 12/20/17	3481	APPRD. / DATE DHJ 10/14/05	
REV	DESCRIPTION	BY / DATE	CCN		
ALL DIMENSIONS ARE IN DECIMAL INCHES TOLERANCES UNLESS OTHERWISE SPECIFIED		THIRD ANGLE PROJECTION ANSI 14.5M		SHOT WEIGHT: ⓑ 186.00 LBS.	NOTES: 1.) WHITE, YELLOW 2.) NOM. WALL @ .350 ⓑ
POLYETHYLENE		METAL DECIMAL ± .125" FRACTION ± 1/4" ANGLE ± 1°		SHIPPING WEIGHT: ⓑ 188.00 LBS.	
±1% @ 68° F				FINISH:	



Den Hartog
INDUSTRIES, INC.

Ace Roto-Mold Injection Molding Blow Molding Sowjoy

4010 HOSPERS DRIVE S. BOX 425, HOSPERS, IOWA 51238-0425

DESCRIPTION 535 GALLON FREE STANDING LEG TANK	
SCALE N.S.	PART NO. FS0535-48