

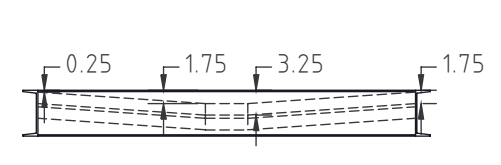
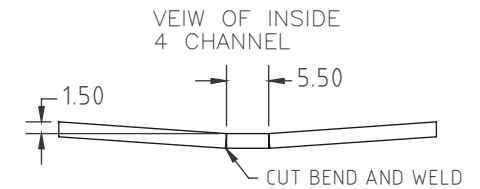
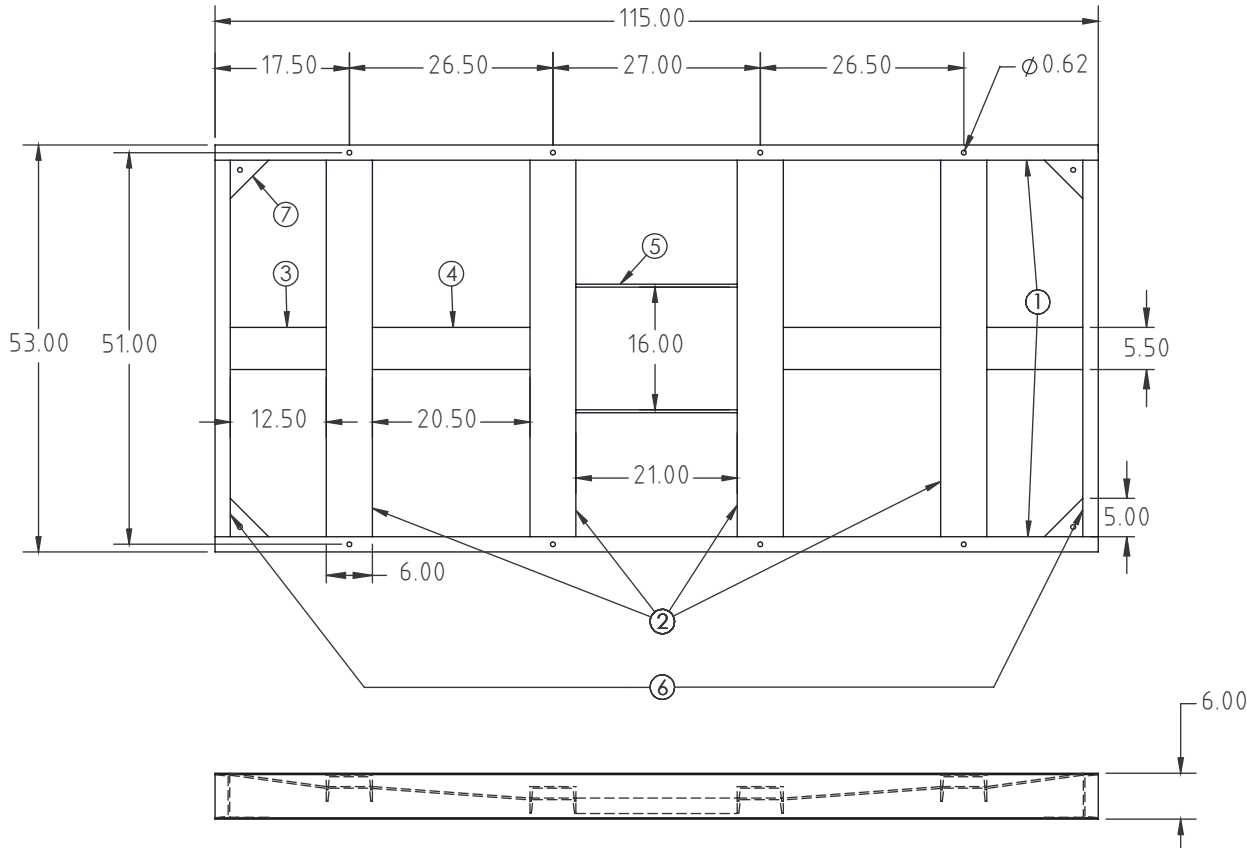
© DEN HARTOG INDUSTRIES, INC.

Copyright. All information furnished within this document, electronic file or design correspondence is the property of Den Hartog industries, Inc. and shall not be used, disclosed to others or copied without the expressed written consent of Den Hartog Industries, Inc.

KEY	PART NUMBER	MATERIAL	DESCRIPTION	QTY.
1	FS1010-SK-1	C06X82	6" CHANNEL	2 @ 115" (230 IN)
2	FS1010-SK-2	C06X82	6" CHANNEL	4 @ 49" (294 IN)
3	FS1010-SK-3	S-2500	SHEET, 1/4"	2 @ 5.5" X 12.56" (138.19 SI)
4	FS1010-SK-4	S-2500	SHEET, 1/4"	2 @ 5.5" X 20.44" (112.41 IN)
5	FS1010-SK-5	B03750X20000	FLAT, 3/8" X 2"	2 @ 20.88" (41.75 SI)
6	FS1010-SK-6	C06X82	6" CHANNEL	2 @ 49" (294 IN)
7	12411	B03750X20000	SHEET, 1/4"	4


FS1010-SK

C



C	TABLE ADDED TO DRAWING. DRAWING TEMPLATE UPDATED.	ADH 3/27/09	1828
B	PART # WAS FS1010-48SK	GWC 3/16/07	
B	TOLERANCE WAS 1% @ 68°F	GWC 3/16/07	
A	ADD DIM	3/24/06	
REV	DESCRIPTION	BY / DATE	CCN
ALL DIMENSIONS ARE IN DECIMAL INCHES TOLERANCES UNLESS OTHERWISE SPECIFIED		THIRD ANGLE PROJECTION ANSI 14.5M	
POLYETHYLENE		METAL	
±1% @ 68°F		DECIMAL ± .125" FRACTION ± 1/4" ANGLE ± 1°	

DRAWN / DATE	MATERIAL
REH 2/26/01	
APPRD. / DATE	
REH 2/26/01	
SHOT WEIGHT:	NOTES:
SHIPPING WEIGHT:	
FINISH:	



Den Hartog

INDUSTRIES, INC.

Ace Roto-Mold Injection Molding Blow Molding Sowjoy

4010 HOSPERS DRIVE S. BOX 425, HOSPERS, IOWA 51238-0421

DESCRIPTION	1010 FULL DRAIN TANK SKID	
SCALE	N.S.	PART NO. FS1010-SK